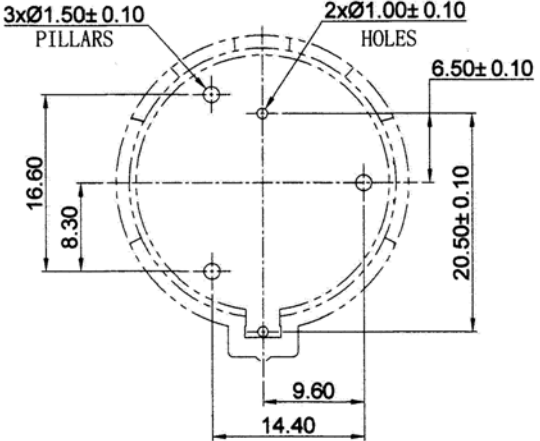
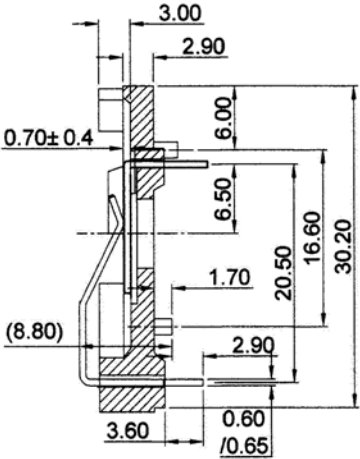
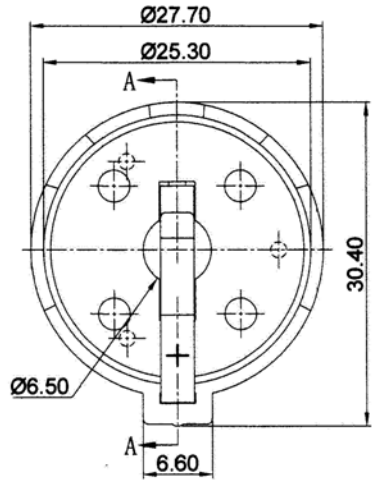


**SPECIFICATIONS**

Current Rating: 3A  
 Voltage Rating: 500V  
 Housing: Nylon 66 UL94V-0 Black  
 Contact: Phosphor Bronze 0.6mm  
 Tin Plating Over Nickel  
 Contact Resistance: 100 Milliohms  
 Insulation Resistance: 100 Megaohms  
 Humidity: -40°C and 90-95% RH for 96 Hours  
 Temperature Range: -40°C to +105°C



NOTES:

RoHS compliant

Rev.	Description	Date	Approved	Drawing	Name	Date
				Approved	Howard	05/08/12
				Checked	Lizzy	05/08/12
				Drawn	Tina	05/08/12
				0.0 ± 0.35	0.00 ± 0.20	Angles ± 3'
				UNIT: mm		

**Central Components Manufacturing**  
 440 Lincoln Blvd., Middlesex, New Jersey 08846  
 Phone 732 469-5720 888 288-5152 Fax 732 469-1919

Part No.: **BTH-22425**

Description: Coin Cell Holder