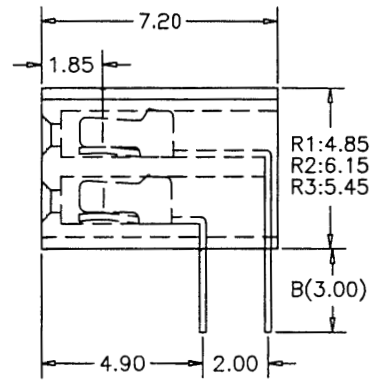
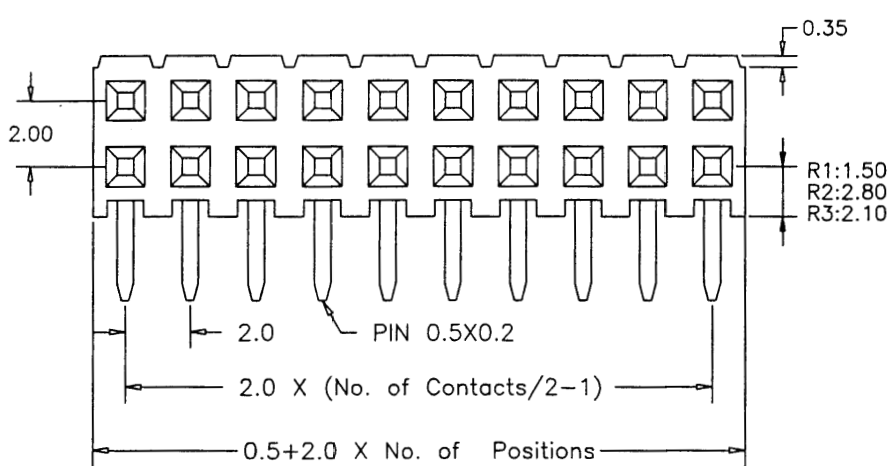


**SPECIFICATIONS**

Current rating: 1 amp  
 Contact material: Phosphor bronze  
 Contact plating: Tin, gold or duplex  
 Contact resistance: 20 milliohms max.  
 Insulator material: Polyester Nylon 6T, UL94V-0  
 Insulator resistance: 5,000 megohms min.  
 Withstanding: 500VAC for 1 min.  
 Operating temperature: -40°C to +105°C  
 Max processing temperature: 230°C for 30 sec.



RoHS compliant

Rev.	Description	Date	Approved	Drawing	Name	Date
				Approved	Howard	08/10/99
				Checked	Lizzy	08/10/99
				Drawn	Tina	08/10/99
				$0.0 \pm 0.35$	$0.00 \pm 0.20$	Angles $\pm 3'$
				UNIT: mm		

**Central Components Manufacturing**  
 440 Lincoln Blvd., Middlesex, New Jersey 08846  
 Phone 732 469-5720 888 288-5152 Fax 732 469-1919

Part No.: **BRS-D-04-XX-SG**

Description: Receptacle strip, 2mm pitch, dual row, female, right angle, 7.2mm profile