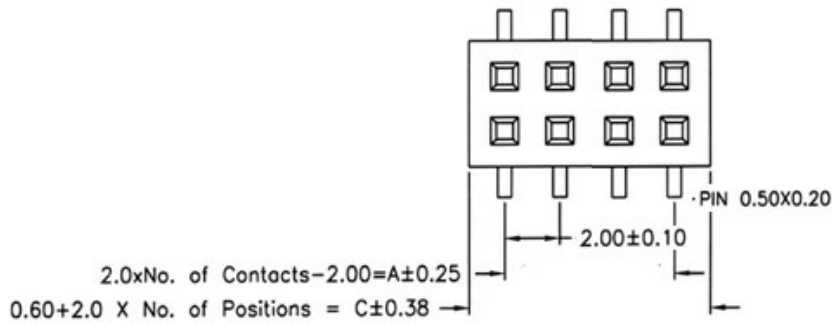


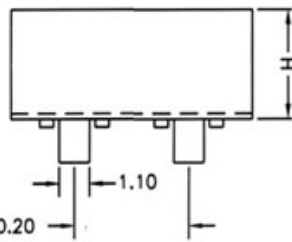
1 2 3 4 5 6 7 8 9

A

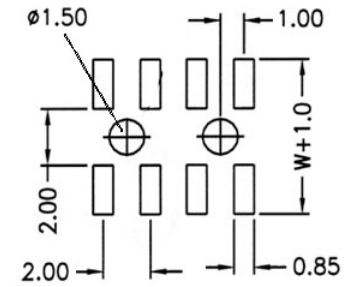
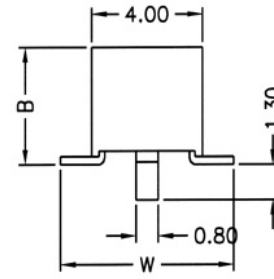
B



C



$4.0 - 2.0 \times \text{No. of Positions} = D \pm 0.20$



Recommended PC Board Hole Layout

SPECIFICATIONS

- Current rating: 1 amp
- Contact material: Phosphor bronze
- Contact resistance: 20 milliohms max.
- Insulator material: Nylon 6T, UL94V-0, black
- Insulator resistance: 5,000 megohms min.
- Withstanding: 500VAC for 1 min.
- Operating temperature: -40°C to +105°C
- Processing temperature: 230°C/60sec.

F

RoHS compliant

G

Rev.	Description	Date	Approved	Drawing	Name	Date
				Approved	Howard	08/16/02
				Checked	Lizzy	08/16/02
				Drawn	Tina	08/16/02
				0.0 ± 0.35	0.00 ± 0.20	Angles ± 3'
					UNIT: mm	
						Central Components Manufacturing 440 Lincoln Blvd., Middlesex, New Jersey 08846 Phone 732 469-5720 888 288-5152 Fax 732 469-1919
						Part No.: BRS-02-08-GD-SM-CP
						Description: Header, female, 2mm pitch, 8 position SMD type, dual row, board to board connector

1 2 3 4 5 6 7 8 9

A

B

C

D

E

F

G