

CENTRAL
JE221A67R6Y

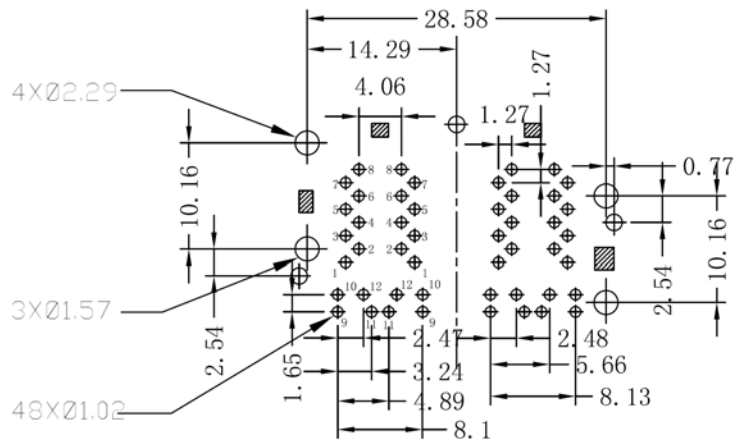
RoHS compliant

| Rev. | Description | Date | Approved | Drawing | Name | Date |
|------|-------------|------|----------|------------|-------------|-------------|
| | | | | Approved | Howard | 05/24/06 |
| | | | | Checked | Lizzy | 01/31/13 |
| | | | | Drawn | Tina | 01/31/13 |
| | | | | 0.0 ± 0.35 | 0.00 ± 0.20 | Angles ± 3' |
| | | | | UNIT: mm | | |

Central Components Manufacturing
 440 Lincoln Blvd., Middlesex, New Jersey 08846
 Phone 732 469-5720 888 288-5152 Fax 732 469-1919

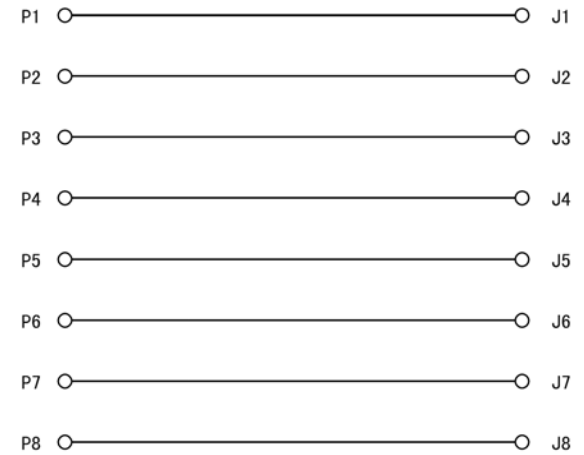
Part No.: **SGCTJ-08-4-JE221A67RGY-BK-P0-S5**

Description: Offset Wave Panel Connector



(Component Side View)

Schematics:



| Emitting Color | λ_p (nm) | $V_F @ I_F = 20mA$ | $I_R @ V_R = 5V$ |
|----------------|------------------|--------------------|------------------|
| Green | 565 | 1.8~2.6V | 10 μ A max |
| Yellow | 585 | 1.8~2.6V | 10 μ A max |

| Rev. | Description | Date | Approved | Drawing | Name | Date |
|---|-------------|------|----------|----------------|-----------------|-----------------|
| | | | | Approved | Howard | 05/24/06 |
| | | | | Checked | Lizzy | 01/31/13 |
| | | | | Drawn | Tina | 01/31/13 |
| | | | | 0.0 \pm 0.35 | 0.00 \pm 0.20 | Angles \pm 3' |
| | | | | | UNIT: mm | |
| Central Components Manufacturing 440 Lincoln Blvd., Middlesex, New Jersey 08846 Phone 732 469-5720 888 288-5152 Fax 732 469-1919 Part No.: SGCTJ-08-4-JE221A67RGY-BK-P0-S5 Description: Offset Wave Panel Connector | | | | | | |