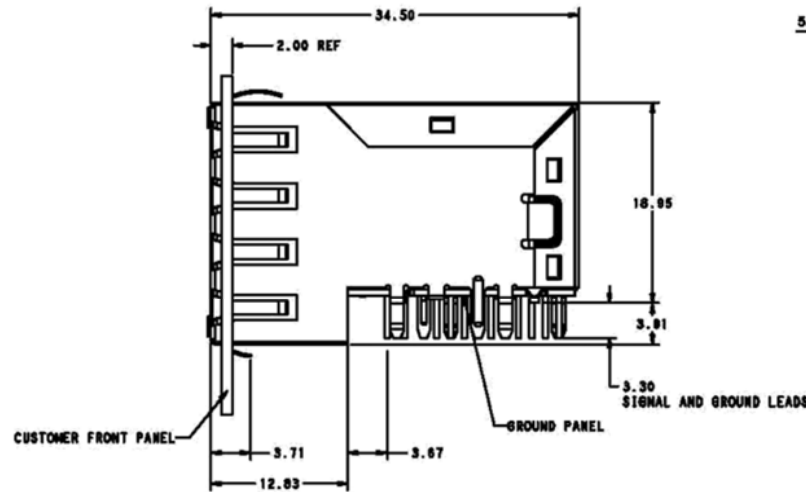
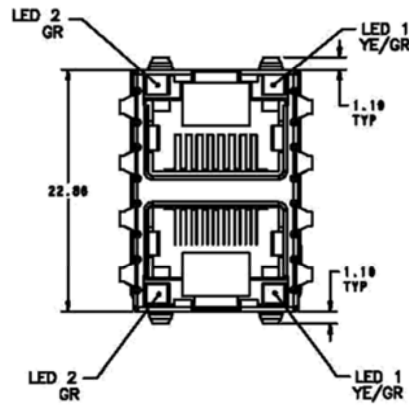
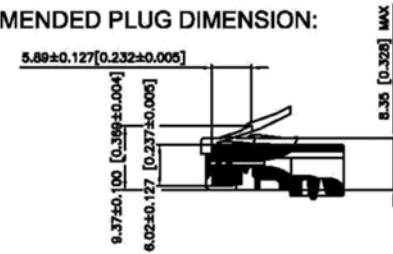


SPECIFICATIONS

Housing: High Temp Thermoplastic, Polyester, UL94V-0
 Contacts: Phosphor Bronze, Gold Plated; Tin in Solder Area
 Nickel Plating in All
 Shield: Brass, Nickel Plating
 Operating Temp.: -40C to +85C



RECOMMENDED PLUG DIMENSION:



RoHS compliant

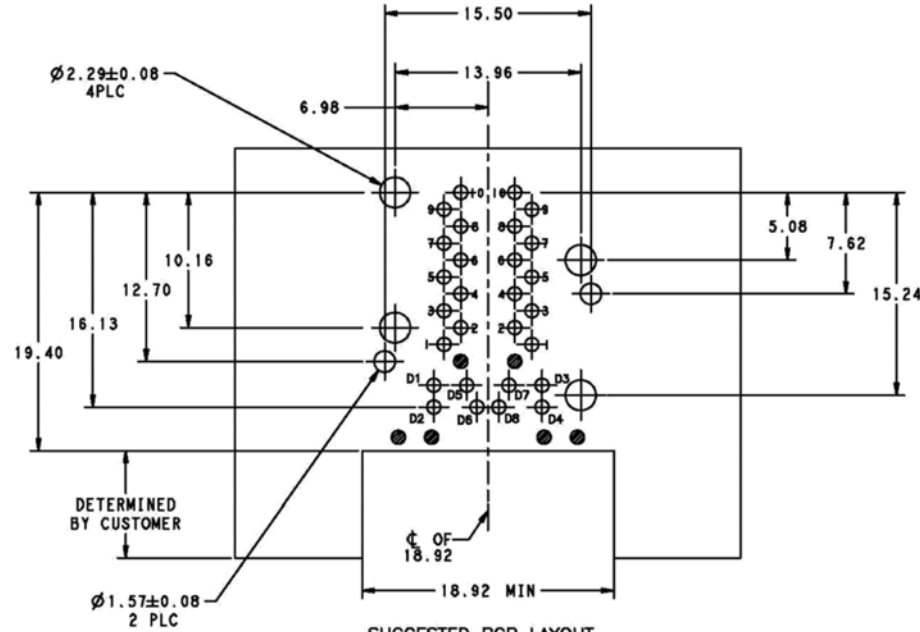
Rev.	Description	Date	Approved	Drawing	Name	Date
A	Schematic	9/24/12	GL	Approved	Howard	09/20/12
				Checked	Lizzy	09/20/12
				Drawn	Tina	09/20/12
				0.0 ± 0.35	0.00 ± 0.20	Angles ± 3'
						UNIT: mm

Central Components Manufacturing
 440 Lincoln Blvd., Middlesex, New Jersey 08846
 Phone 732 469-5720 888 288-5152 Fax 732 469-1919

Part No.: **SGCTJ-08-2-M17901-8-BK-P1-S-PG6**

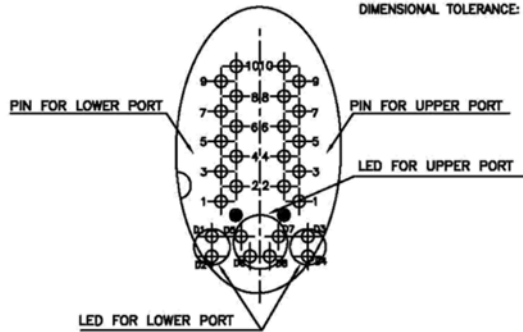
Description: RJ45 w/led with 10/100/1000 Mbps, Shielded, Thru Hole

2. PCB LAYOUT :

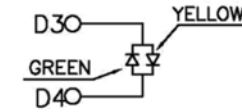
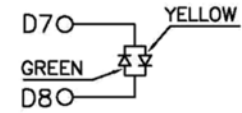


SUGGESTED PCB LAYOUT
TOP VIEW

DIMENSIONAL TOLERANCE: .XX ±0.08[0.003]



3. LED CONFIGURATION :



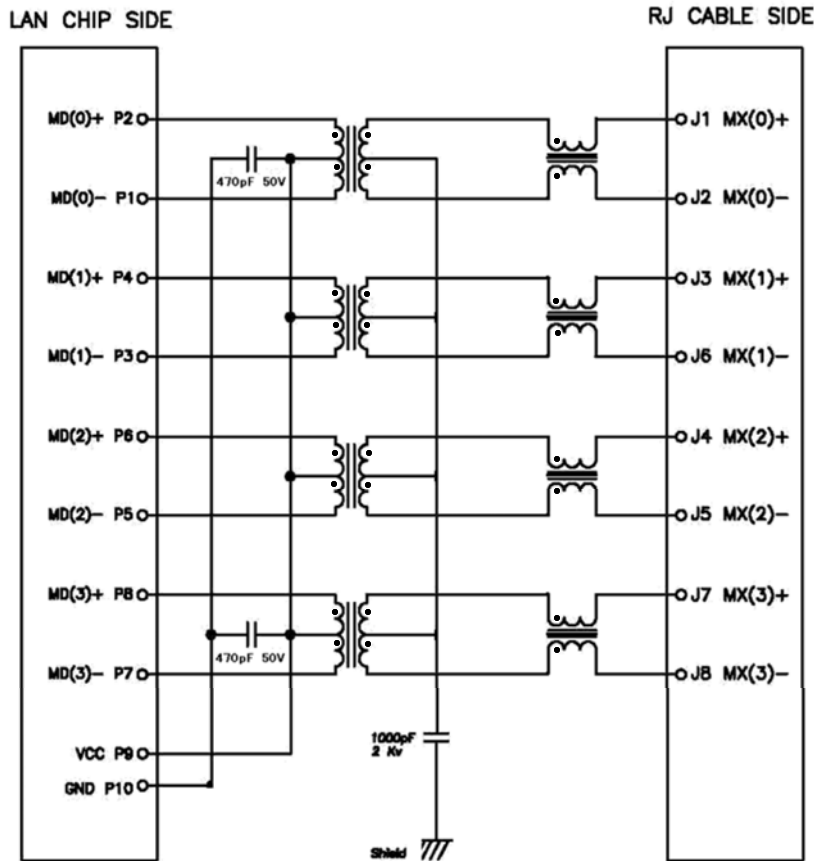
Rev.	Description	Date	Approved	Drawing	Name	Date
A	Schematic	9/24/12	GL	Approved	Howard	09/20/12
				Checked	Lizzy	09/20/12
				Drawn	Tina	09/20/12
				0.0 ± 0.35	0.00 ± 0.20	Angles ± 3'
					UNIT: mm	

Central Components Manufacturing
440 Lincoln Blvd., Middlesex, New Jersey 08846
Phone 732 469-5720 888 288-5152 Fax 732 469-1919

Part No.: **SGCTJ-08-2-M17901-8-BK-P1-S-PG6**

Description: RJ45 w/led with 10/100/1000 Mbps, Shielded, Thru Hole

4. SCHEMATIC:



SPECIFICATIONS

TR: (100KHz, 0.1V):

Input to Output=1:1±3%

LX:(100KHz, 100mV,8mA, DC Bias)

Transformer=350uH Minimum

DCR:

Every RJ Pair=1.2Ω Maximum

Hipot:

Input to Output: 1500VAC for 60 Seconds

Insertion Loss:

-0.8dB Maximum At 0.3MHz to 100MHz

-1.2dB Maximum At 100MHz to 125MHz

Return Loss:

-18dB Minimum at 0.5MHz to 40MHz

-12+20Log(f/80MHz)dB Minimum at 40MHz to 100MHz

Cross Talk:

-33+20Log(f/100MHz)dB Minimum at 0.1MHz to 100MHz

Common to Common Mode Rejection:

-30dB Minimum at 300KHz to 100MHz

Rev.	Description	Date	Approved	Drawing	Name	Date
A	Schematic	9/24/12	GL	Approved	Howard	09/20/12
				Checked	Lizzy	09/20/12
				Drawn	Tina	09/20/12
				0.0 ± 0.35	0.00 ± 0.20	Angles ± 3'
					UNIT: mm	

Central Components Manufacturing
 440 Lincoln Blvd., Middlesex, New Jersey 08846
 Phone 732 469-5720 888 288-5152 Fax 732 469-1919

Part No.: **SGCTJ-08-2-M17901-8-BK-P1-S-PG6**

Description: RJ45 w/led with 10/100/1000 Mbps, Shielded, Thru Hole