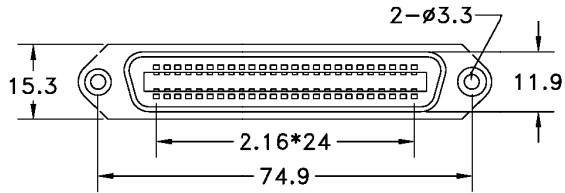
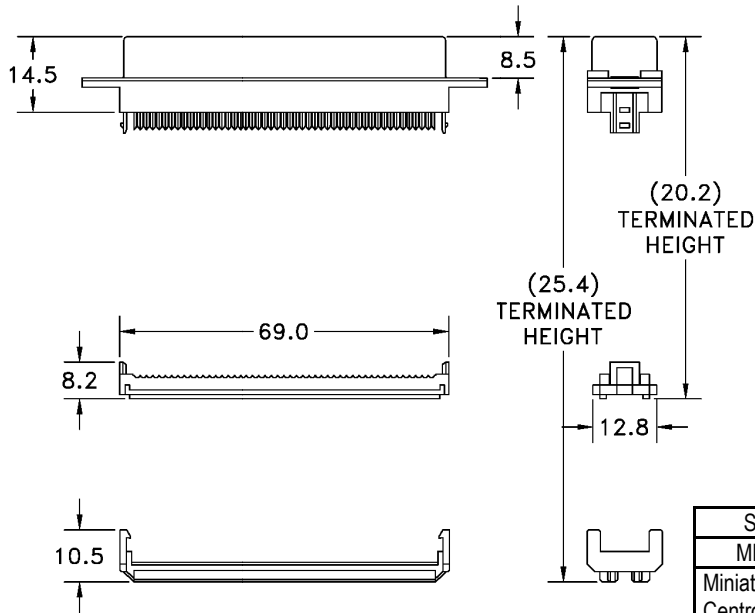


METAL TYPE



SPECIFICATIONS

Current Rating: 1 Amp
 Contact Material: Phosphor Bronze
 Contact Resistance: 30mΩ max.
 Insulator Material: PBT, glass reinforced, UL94V-0
 Shell Material: Steel
 Insulation Resistance: 3000 MΩ max.
 Withstanding: 500V AC for 1 minute
 Operating Temp: -40°C to +105°C



MRCXX-SR
 Optional Strain Relief Shown

Series	Gender	Type	Face Options	Options
MRCXX	X	XX	X	XX
Miniature Centronics connector XX= 14, 24 ,36, 50	M=Male F=Female FS=Female with spring latch MS=50p male w/ latch	02=IDC metal 03=IDC plastic	A=.120" thru hole E=4-40 inserts D=Notch ears (male only) M=M3 Insert	15GD=15μ" gold 30GD=30μ" gold BK=Black insulator HM=Metal hood (02, 03) HP=Plastic hood (02, 03) (add R for right angle hood)

RoHS compliant

Rev.	Description	Date	Approved	Drawing	Name	Date
				Approved	Howard	01/22/09
				Checked	Lizzy	01/22/09
				Drawn	Tina	01/22/09
				0.0 ± 0.35	0.00 ± 0.20	Angles ± 3'
				UNIT: mm		

Central Components Manufacturing
 440 Lincoln Blvd., Middlesex, New Jersey 08846
 Phone 732 469-5720 888 288-5152 Fax 732 469-1919

Part No.: **MRC50-F-02-A**

Description: Centronics IDC 50 Pin Female 2.54mm