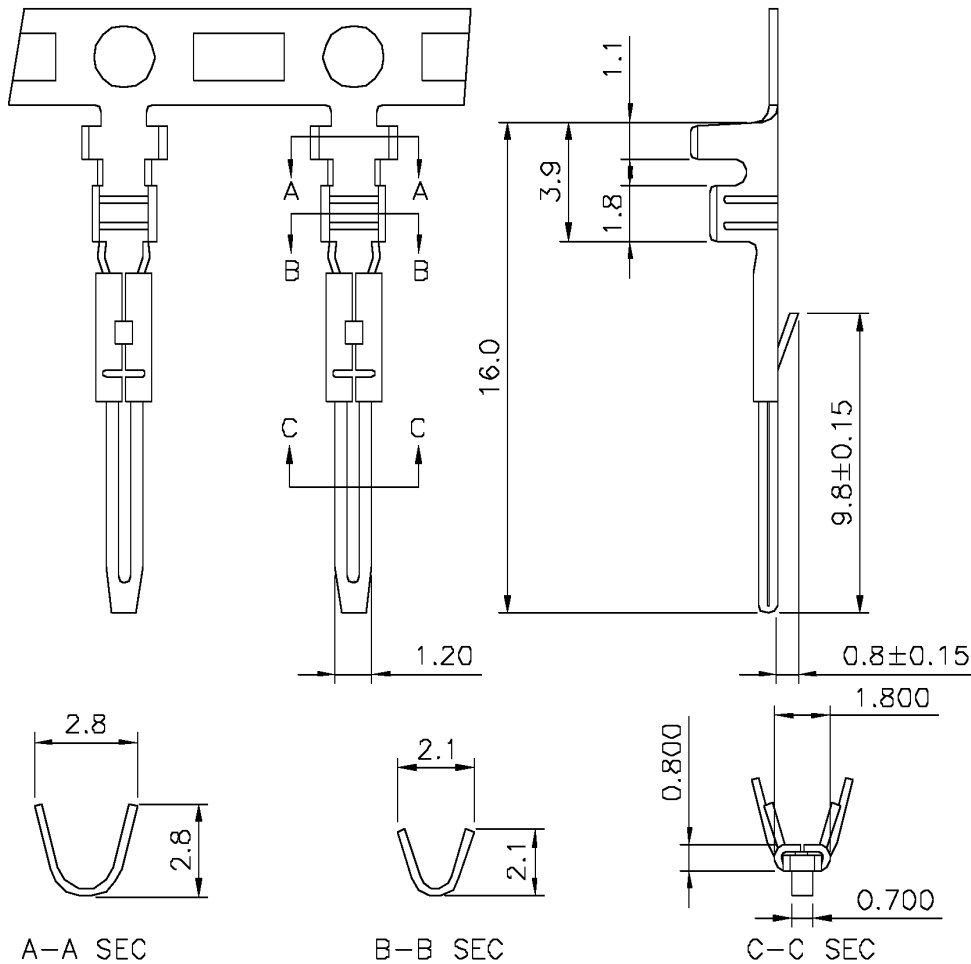


SPECIFICATIONS

Current Rating: 3A AC/DC
 Voltage Rating: 250V AC/DC
 Material: Brass
 Finish: Tin Plated
 Thickness: 0.2mm
 Insulation Resistance: 500MΩ min
 Withstanding: 1000V AC/minute
 Temperature Range: -25°C to +85°C



A-A SEC

B-B SEC

C-C SEC

RoHS compliant

Rev.	Description	Date	Approved	Drawing	Name	Date
				Approved	Howard	12/20/06
				Checked	Lizzy	12/20/06
				Drawn	Tina	12/20/06
				0.0 ± 0.35	0.00 ± 0.20	Angles ± 3'
				UNIT: mm		

Central Components Manufacturing
 440 Lincoln Blvd., Middlesex, New Jersey 08846
 Phone 732 469-5720 888 288-5152 Fax 732 469-1919

Part No.: **JS-CH-6504-TB**

Description: 2.50mm Power Connector Terminal