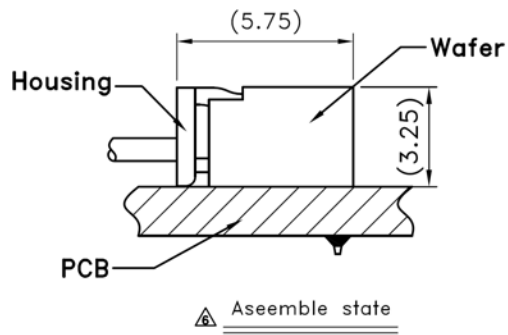
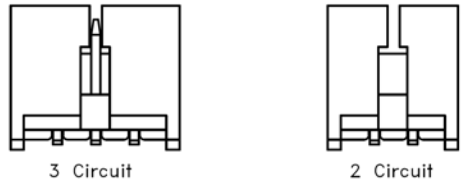
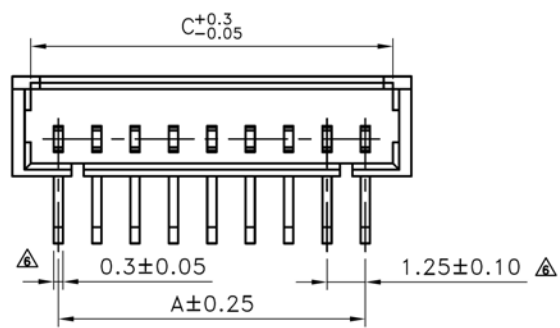
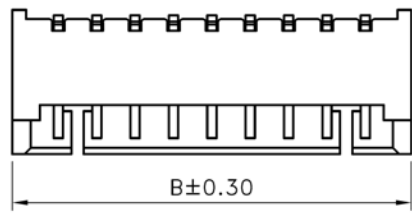
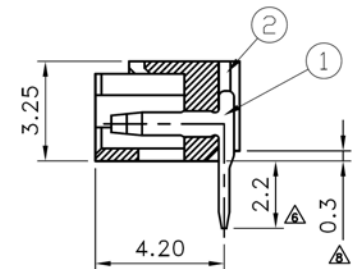


Recommended PCB Layout(Top View)

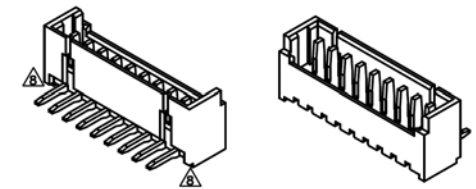


Assembly state



SPECIFICATIONS

Current Rating: 1A AC/DC
 Withstanding: 250V AC/Minute
 Insulation Resistance: 100MΩ min
 Contact Resistance: 20mΩ max
 Poles: 2-15 DIP Type
 Contact Material: Brass, Tin Plated
 Base Material: Nylon PA46 UL94V-0
 Finish: Tin Plated
 Temperature Range: -40C to +85C



Poles	Dimensions (mm)			Poles	Dimensions (mm)		
	A	B	C		A	B	C
2	1.25	4.25	3.05	9	10.00	13.00	11.80
3	2.50	5.50	4.30	10	11.25	14.25	13.05
4	3.75	6.75	5.55	11	12.50	15.50	14.30
5	5.00	8.00	6.80	12	13.75	16.75	15.55
6	6.25	9.25	8.05	13	15.00	18.00	16.80
7	7.50	10.50	9.30	14	16.25	19.25	18.05
8	8.75	11.75	10.55	15	17.50	20.50	19.30

RoHS compliant

Rev.	Description	Date	Approved	Drawing	Name	Date
				Approved	Howard	2/21/13
				Checked	Lizzy	2/21/13
				Drawn	Tina	2/21/13
				0.0 ± 0.35	0.00 ± 0.20	Angles ± 3'
				UNIT: mm		

Central Components Manufacturing
 440 Lincoln Blvd., Middlesex, New Jersey 08846
 Phone 732 469-5720 888 288-5152 Fax 732 469-1919

Part No.: **JS-CH-1147R-XX**

Description: 1.25mm Crimp Connector Wafer