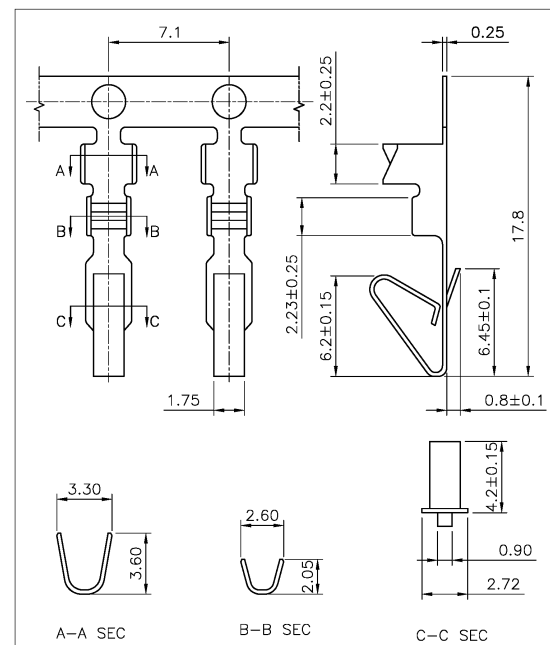


SPECIFICATIONS

Voltage rating: 250VAC/DC
 Current rating: 5 amps
 Contact material: Brass
 Contact plating: Tin
 Contact resistance: 20 milliohms max.
 Housing material: Nylon 66, UL94V-0
 Insulation resistance: 1,000 megohms min.
 Withstanding: 1,500 VAC for 1 min.
 Operating temperature: -25°C to +85°C
 Wire range: 18-24AWG



RoHS compliant

Rev.	Description	Date	Approved	Drawing	Name	Date
				Approved	Howard	08/10/99
				Checked	Lizzy	08/10/99
				Drawn	Tina	08/10/99
				0.0 ± 0.35	0.00 ± 0.20	Angles ± 3'
				UNIT: mm		

Central Components Manufacturing
 440 Lincoln Blvd., Middlesex, New Jersey 08846
 Phone 732 469-5720 888 288-5152 Fax 732 469-1919

Part No.: **JS-CH-1138-06 JS-5001-T**

Description: Housing and terminal, .156" pitch