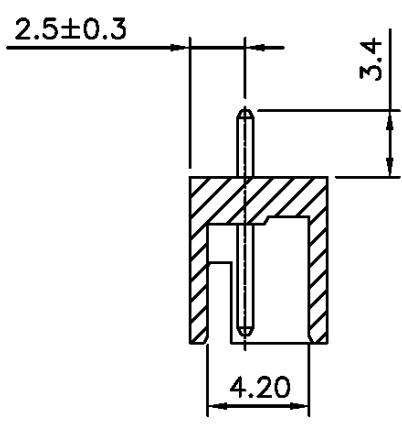
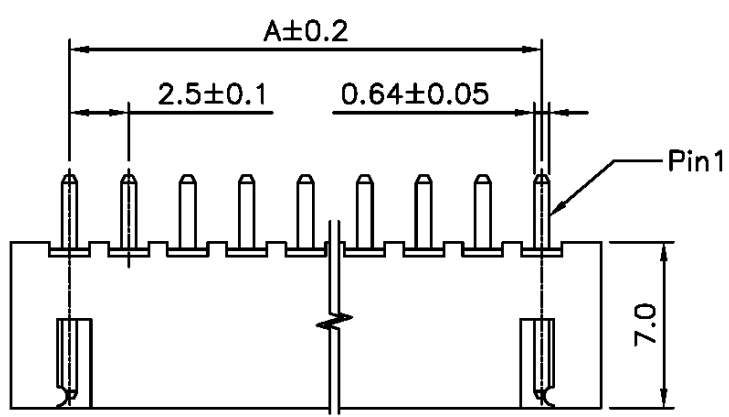


SPECIFICATIONS
 Voltage rating: 250VAC/DCC
 Current rating: 3 amps AC/DC
 Contact material: Brass
 Contact plating: Tin
 Contact resist.: 20 milliohms max.
 Base material: Nylon 66, UL94V-0
 Insulation resist.: 1,000 megohms min.
 Withstanding: 1,000VAC for 1 min.
 Packaging: 1,000 pcs/bag

| Dimensions (mm) | | |
|-----------------|-------|-------|
| Poles | A | B |
| 2 | 2.50 | 7.50 |
| 3 | 5.00 | 10.00 |
| 4 | 7.50 | 12.50 |
| 5 | 10.00 | 15.00 |
| 6 | 12.50 | 17.50 |
| 7 | 15.00 | 20.00 |
| 8 | 17.50 | 22.50 |
| 9 | 20.00 | 25.00 |
| 10 | 22.50 | 27.50 |
| 11 | 25.00 | 30.00 |
| 12 | 27.50 | 32.50 |
| 13 | 30.00 | 35.00 |
| 14 | 32.50 | 37.50 |
| 15 | 35.00 | 40.00 |
| 16 | 37.50 | 42.50 |
| 17 | 40.00 | 45.00 |
| 18 | 42.50 | 47.50 |
| 19 | 45.00 | 50.00 |
| 20 | 47.50 | 52.50 |



RoHS compliant

| Rev. | Description | Date | Approved | Drawing | Name | Date |
|------|-------------|------|----------|------------|-------------|-------------|
| | | | | Approved | Howard | 05/15/05 |
| | | | | Checked | Lizzy | 05/15/05 |
| | | | | Drawn | Tina | 05/15/05 |
| | | | | 0.0 ± 0.35 | 0.00 ± 0.20 | Angles ± 3' |
| | | | | UNIT: mm | | |

Central Components Manufacturing
 440 Lincoln Blvd., Middlesex, New Jersey 08846
 Phone 732 469-5720 888 288-5152 Fax 732 469-1919

Part No.: **JS-CH-1001-XX**

Description: Crimp style connector wafer, 2.50mm pitch