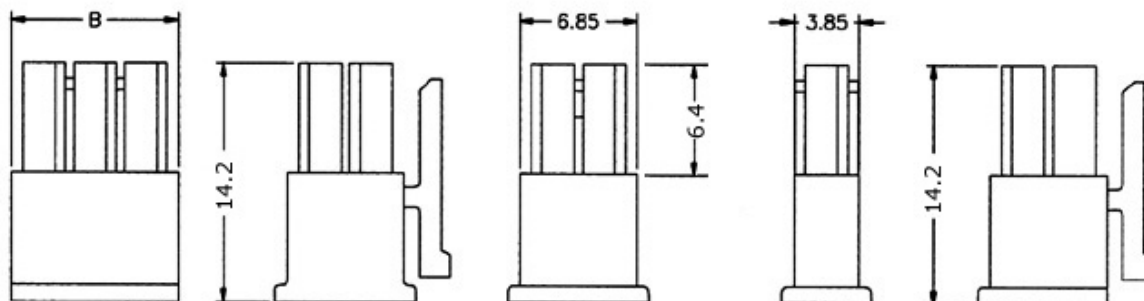
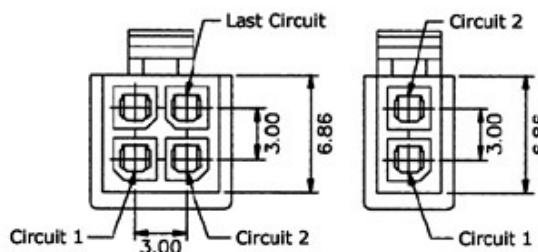
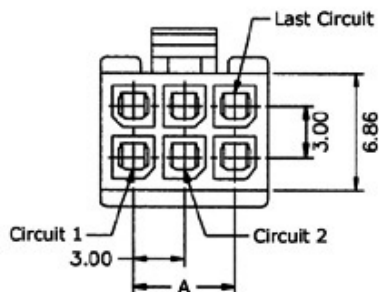
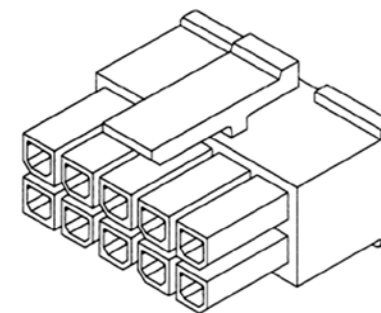


SPECIFICATIONS

Voltage rating: 250VAC
 Current rating: See chart
 Body material: Nylon 66, UL94V-0
 Insulation resistance: 1,000 megohms min.
 Withstanding: 1,500 VAC for 1 min.
 Operating temperature: -25°C to +85°C



Dimensions		
Pos.	A	B
2		4.0
4	3.0	7.0
6	6.0	10.0
8	9.0	13.0
10	12.0	16.0
12	15.0	19.0
14	18.0	22.0
16	21.0	25.0
18	24.0	28.0
20	27.0	31.0
22	30.0	34.0
24	33.0	37.0

Current rating	
AWG	Amps
20	5
22	5
24	4
26	3
28	2
30	1

RoHS compliant

Rev.	Description	Date	Approved	Drawing	Name	Date
A	Desc.	2/26/09	Greg	Approved	Howard	08/10/99
				Checked	Lizzy	08/10/99
				Drawn	Tina	08/10/99
				0.0 ± 0.35	0.00 ± 0.20	Angles ± 3'
				UNIT: mm		

Central Components Manufacturing
 440 Lincoln Blvd., Middlesex, New Jersey 08846
 Phone 732 469-5720 888 288-5152 Fax 732 469-1919

Part No.: **JS-A-3025-XX**

Description: Housing, .118" (3.00mm) pitch, dual row