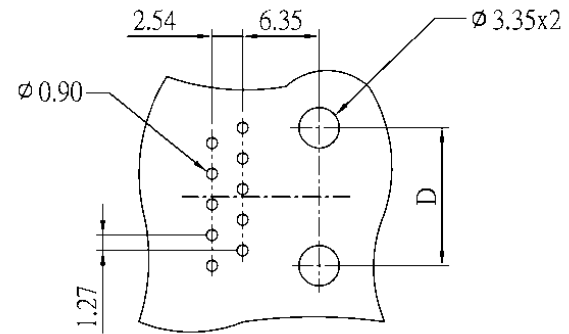
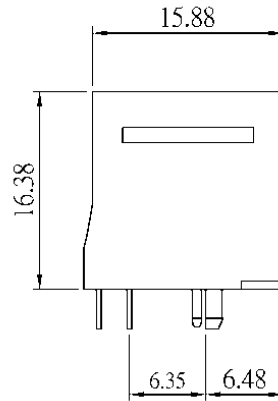
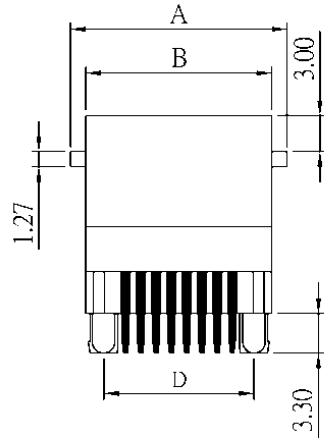


SPECIFICATIONS

Contacts: 0.35 mm phosphor bronze alloy
 Contact plating: Hard gold contacts
 Tin tails
 Housing: PBT with 15% glass fiber, UL 94V-0



KY: With Keyway (8 & 10p only)



WF: NO flange

RoHS compliant

Dimensions					
Pos.	Contacts	A	B	C	D
4	4	13.85	11.43	7.88	7.63
6	2, 4, 6	15.85	13.46	9.88	10.16
8	8, 10	18.05	15.50	11.88	11.43

Series	Positions	Contacts	Style	Color	Plating	Options
CTJ	X	XX	D	XX	PX	
Modular phone jack	4,6,8,10	2,4,6,8,10 (see table)	D style, top entry	BK=Black GY=Gray	P0=6u" gold P1=15u" gold P2=30u" gold P3=50u" gold	[blank]=flange WF=no flange FS=Full Shield KY=keyed

Rev.	Description	Date	Approved	Drawing	Name	Date
				Approved	Howard	8/10/99
				Checked	Lizzy	8/10/99
				Drawn	Tina	8/10/99
				0.0 ± 0.35	0.00 ± 0.20	Angles ± 3'
				UNIT: mm		



Central Components Manufacturing

628 State Highway 10, Unit 12, Whippany, NJ 07981
 973 884-1650 888 288-5152 Fax 973 884-9150

Part No.: **CTJ-X-XX-D-XX-XX-XX**

Description: top entry modular jack, style D