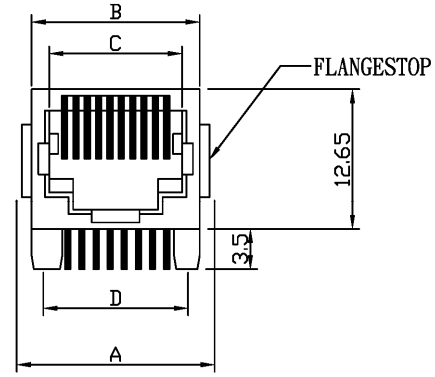
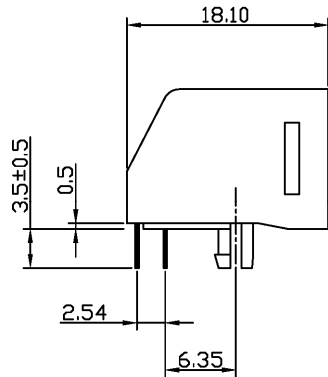
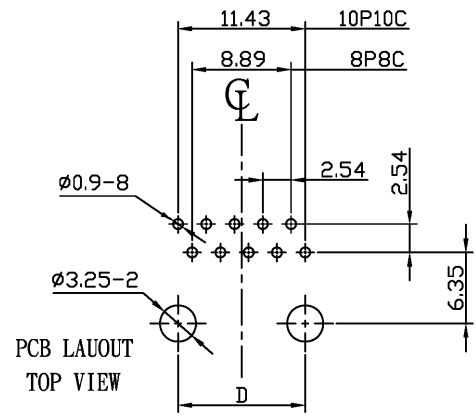
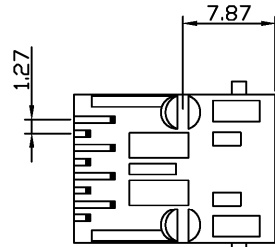


SPECIFICATIONS

Housing material: PBT with 15% glass fiber, black, UL94V-0
 Contact material: Phosphor bronze, 0.35mm
 Contact plating: Gold 15µ", 30µ", 50µ"



No. of Positions	No. of Contacts	Dimensions (mm)			
		A	B	C	D
6	2,4,6	15.75	13.36	9.90	10.16
8	6,8	17.70	15.10	11.93	11.43
10	10	17.70	15.10	11.93	11.43



KY:W/keyway



WF:WO/flangestop

Series	Positions	Contacts	Style	Color	Plating	Options
CTJ	X	XX	A	BK	PX	SM
Modular phone jack	4, 6, 8, 10	02,04,06,08, 10	A=Style A	BK=Black	P1=15µ" gold P2=30µ" gold P3=50µ" gold	MS=Metal shielded face SM=Surface mount WF=No Flange KY=Keyed

RoHS compliant

Rev.	Description	Date	Approved	Drawing	Name	Date
A	PNT	6/30/09	Greg	Approved	Howard	07/10/00
B	DWG	12/08/09	Tom	Checked	Lizzy	07/10/00
				Drawn	Tina	07/10/00
				0.0 ± 0.35	0.00 ± 0.20	Angles ± 3'
				UNIT: mm		

Central Components Manufacturing
 440 Lincoln Blvd., Middlesex, New Jersey 08846
 Phone 732 469-5720 888 288-5152 Fax 732 469-1919

Part No.: **CTJ-X-XX-A-BK-PX**

Description: Modular jack, PCB mount, side entry, CAT5 compatible

