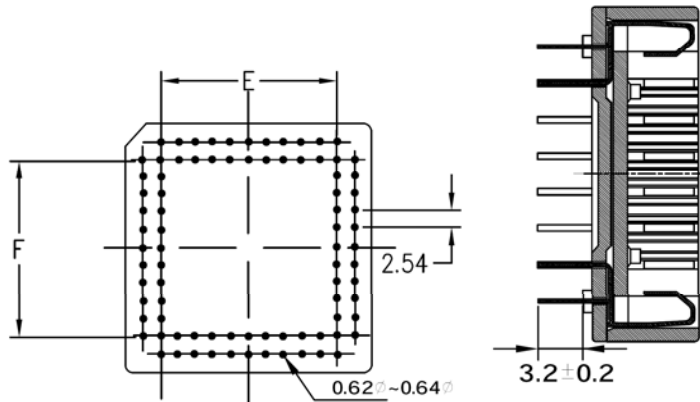


SPECIFICATIONS

Insulator Material: PPS UL94V-0
 Contact Resistance: 30MΩ Max at DC 100MA
 Current Rating: 1 AMP
 Insulation Resistance: 1000MΩ Min at DC 500V
 Withstanding: AC 500V for 1 minute
 Temperature Rating: -55C ~ +105C



Dimensions						
Contacts	A	B	C	D	E	F
20	15.50	15.50	5.08	5.08	5.08	5.08
28	18.04	18.04	7.62	7.62	7.62	7.62
32	18.04	20.54	7.62	10.16	7.62	10.16
44	23.48	23.48	12.70	12.70	12.70	12.70
52	25.88	25.88	15.24	15.24	15.24	15.24
68	31.04	31.04	20.32	20.32	20.32	20.32
84	36.04	36.04	25.40	25.40	25.40	25.40

Series	Positions	Plating
CCTH	XX	XX
PLCC Through Hole	20,28,32,44,52,68,84	TN=Tin GD=Gold

RoHS compliant

Rev.	Description	Date	Approved	Drawing	Name	Date
				Approved	Howard	04/10/96
				Checked	Lizzy	04/10/96
				Drawn	Tina	04/10/96
				0.0 ± 0.35	0.00 ± 0.20	Angles ± 3'
				UNIT: mm		

Central Components Manufacturing
 440 Lincoln Blvd., Middlesex, New Jersey 08846
 Phone 732 469-5720 888 288-5152 Fax 732 469-1919

Part No.: **CCTH-XX-XX**

Description: PLCC socket, 68 pin 0.050" pitch through hole version