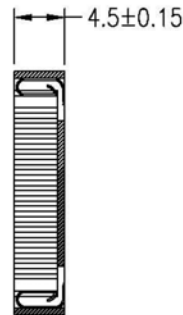
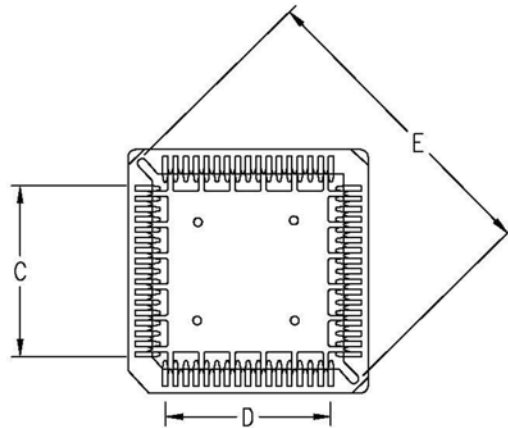


P.C.B LAYOUT

SPECIFICATIONS

Current Rating: 1 AMP
 Contact Resistance: 30mΩ Max at DC 100MA
 Contact Material: Phosphor Bronze
 Contact Plating: Gold or Tin over Nickel
 Insulator Material: PPS UL94V-0, Brown (HT)
 Insulator Resistance: 1000MΩ Min at DC 500V
 Withstanding: AC 500V for 1 minute
 Processing Temp: 240°C ~ 245°C
 Temperature Range: -55°C ~ +105°C



SECTION A-A

Dimensions					
Contacts	A	B	C	D	E
20	15.24	15.24	5.08	5.08	16.70
28	17.78	17.78	7.62	7.62	20.30
52	25.74	25.74	15.24	15.24	31.13
68	30.82	30.82	20.32	20.32	38.31
84	35.90	35.90	25.40	25.40	45.50

Series	Positions	Contact Finish
CCSM	XX	XX
PLCC Socket	20,28,32,44,52,68,	TN=Tin (std)
Surface Mount	84 (see chart)	GD=Gold

RoHS compliant

Rev.	Description	Date	Approved	Drawing	Name	Date
				Approved	Howard	11/30/89
				Checked	Lizzy	11/30/89
				Drawn	Tina	11/30/89
				0.0 ± 0.35	0.00 ± 0.20	Angles ± 3'
				UNIT: mm		

Central Components Manufacturing
 440 Lincoln Blvd., Middlesex, New Jersey 08846
 Phone 732 469-5720 888 288-5152 Fax 732 469-1919

Part No.: **CCSM-XX-XX**

Description: PLCC Socket, Surface Mount

