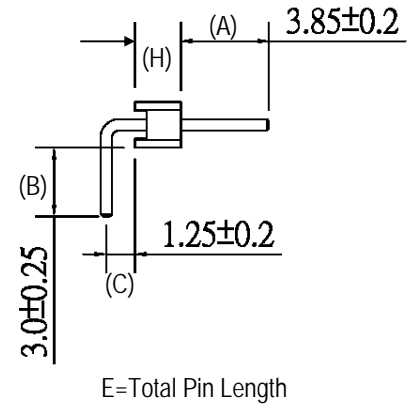
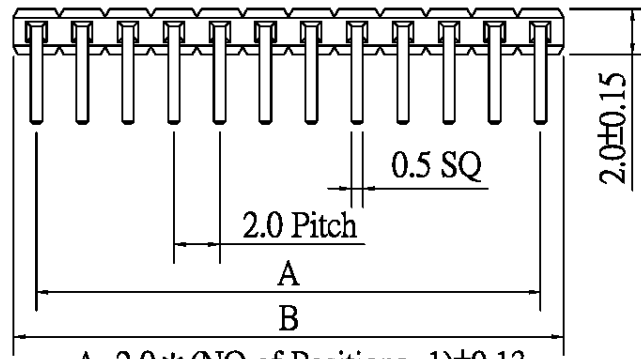
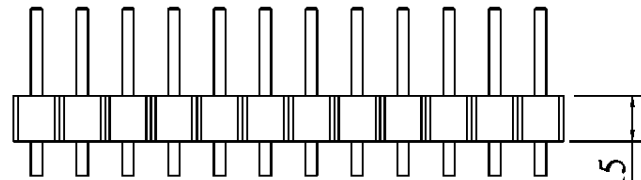
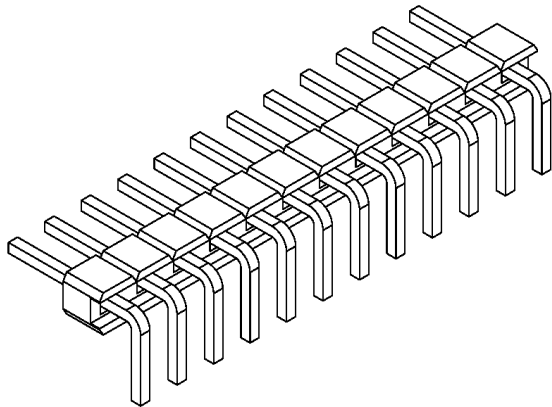
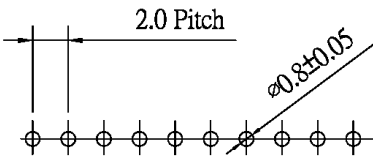


SPECIFICATIONS

Current rating: 3 amps
 Operating voltage: 250 VAC
 Contact material: Phosphor bronze
 Contact plating: Tin, gold or duplex
 Contact resistance: 10 milliohms max.
 Insulator material: PBT, glass reinforced, UL94V-0
 Insulator resistance: 1,000 megohms min.
 Withstanding: 1,000VAC for 1 min.
 Operating temp.: -55°C to 125°C



$A = 2.0 * (\text{NO of Positions} - 1) \pm 0.13$
 $B = A + 2.0 \pm 0.35$



PC Board Layout

| Series | Insulator | Rows | Type | Contacts | Contact Length | Plating |
|---------------------------|-----------------------------------|------|--|------------------------------------|---|--|
| BPH | X | X | XX | XX | XX | XX |
| 2mm unshrouded pin headed | [blank]=2mm C=1.5mm D=1.0mm | 1-2 | [blank]=Straight RA=Right Angle SM=Surface Mount | Single Row=1-40 Double Row=2-80 | SD=Standard CSL(A/C/E) for custom length | GDXX=Gold SGXX=Duplex TN=Tin XX=Flash if blank, 15,30, 50u" |

RoHS compliant

| Rev. | Description | Date | Approved | Drawing | Name | Date |
|------|-------------|------|----------|------------|-------------|-------------|
| | | | | Approved | Howard | 08/10/99 |
| | | | | Checked | Lizzy | 08/10/99 |
| | | | | Drawn | Tina | 08/10/99 |
| | | | | 0.0 ± 0.35 | 0.00 ± 0.20 | Angles ± 3' |
| | | | | | UNIT: mm | |

Central Components Manufacturing
 440 Lincoln Blvd., Middlesex, New Jersey 08846
 Phone 732 469-5720 888 288-5152 Fax 732 469-1919

Part No.: **BPH-1-RA-XX-SD-XX**

Description: Pin header, 2.0mm pitch, single row, right angle