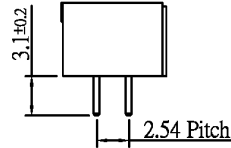
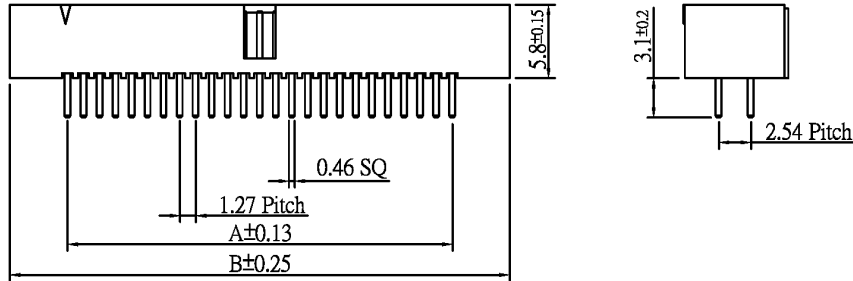
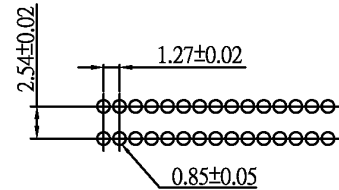


SPECIFICATIONS

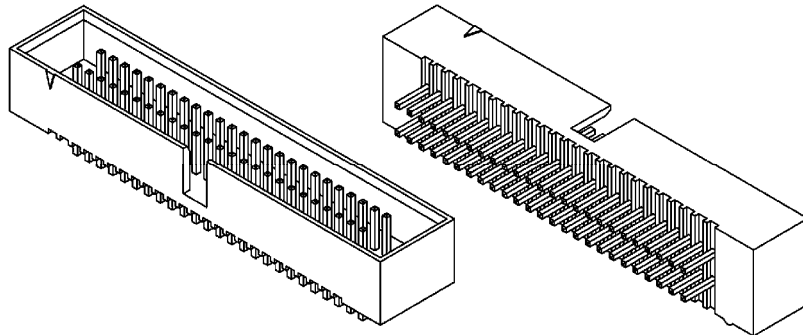
Contact Material: Brass
 Insulator Material: Nylon 6T
 Finish: Gold flash plated over nickel



Dimensions		
Item	A	B
08	3.81	13.10
10	5.08	14.37
20	11.43	20.72
26	15.24	24.53
30	17.78	27.07
34	20.32	29.61
40	24.13	33.42
44	26.67	35.96
50	30.48	39.77
60	36.83	46.12
68	41.91	51.20
80	49.53	58.82
100	62.23	71.52



P.C.Board Layout



Series	Positions	Type	Plating
BHD-D	XX	XX	GD
Box Header .05 x .100	See chart	ST=Straight RA=Right Angle SM=Surface Mount	GD=Gold

RoHS compliant

Rev.	Description	Date	Approved	Drawing	Name	Date
				Approved	Howard	11/26/08
				Checked	Lizzy	11/26/08
				Drawn	Tina	11/26/08
				0.0 ± 0.35	0.00 ± 0.20	Angles ± 3°
				UNIT: mm		

Central Components Manufacturing
 440 Lincoln Blvd., Middlesex, New Jersey 08846
 Phone 732 469-5720 888 288-5152 Fax 732 469-1919

Part No.: **BHD-D-XX-ST-GD**

Description: Box header, straight mount, 1.27mm pitch