

1 2 3 4 5 6 7 8 9

A

A

B

B

C

C

D

D

E

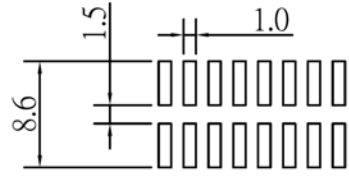
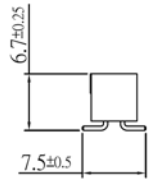
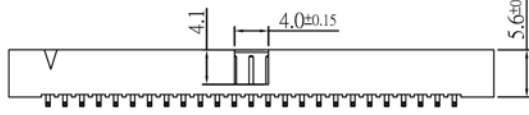
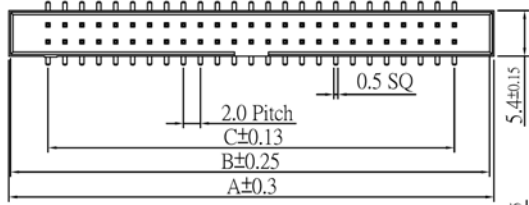
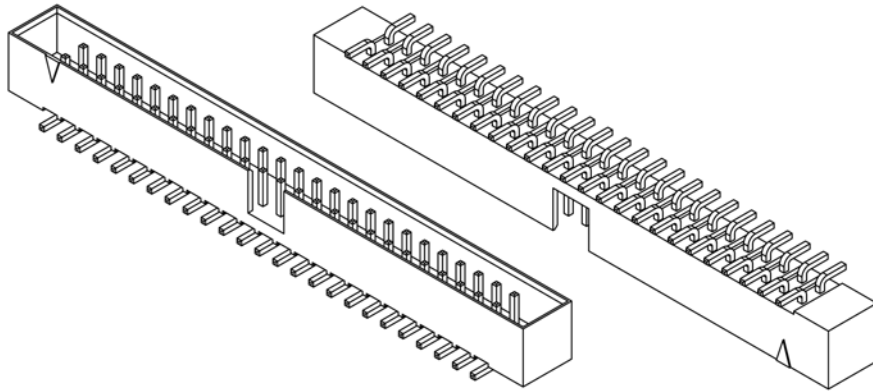
E

F

F

G

G



P.C.Board Layout

Circuits	Dimension		
	A	B	C
6	13.2	12.1	4
8	15.2	14.1	6
10	17.2	16.1	8
12	19.2	18.1	10
14	21.2	20.1	12
16	23.2	22.1	14
20	27.2	26.1	18
24	31.2	30.1	22
26	33.2	32.1	24
30	37.2	36.1	28
34	41.2	40.1	32
40	47.2	46.1	38
44	51.2	50.1	42
50	57.2	56.1	48
60	67.2	66.1	58
64	71.2	70.1	62
68	75.2	74.1	66

RoHS compliant

Series	Contacts	Type	Plating
BHD-C	XX	SM	XX
Box header, 2mm pitch	10, 12, 14, 16, 20, 22, 24, 26, 30, 34, 40, 44, 50	SM=Surface mount	TN=Tin SGXX=Selective gold GDXX=Gold XX=Flash if blank; 10, 15, 30µ" gold

Rev.	Description	Date	Approved	Drawing	Name	Date
				Approved	Howard	05/11/10
				Checked	Lizzy	05/11/10
				Drawn	Tina	05/11/10
				0.0 ± 0.35	0.00 ± 0.20	Angles ± 3'
				UNIT: mm		

Central Components Manufacturing
 440 Lincoln Blvd., Middlesex, New Jersey 08846
 Phone 732 469-5720 888 288-5152 Fax 732 469-1919

Part No.: **BHD-C-XX-SM-XX**

Description: Box header, 2mm pitch, surface mount

1 2 3 4 5 6 7 8 9