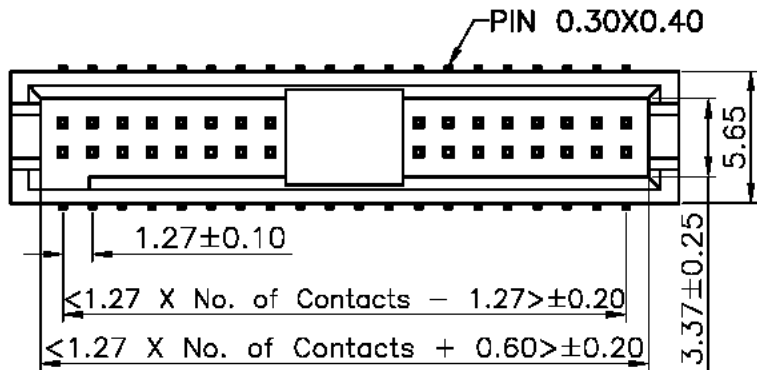


1 2 3 4 5 6 7 8 9

A

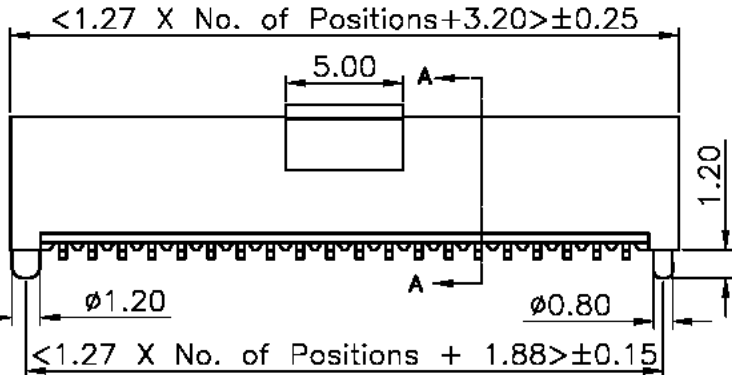


B

C

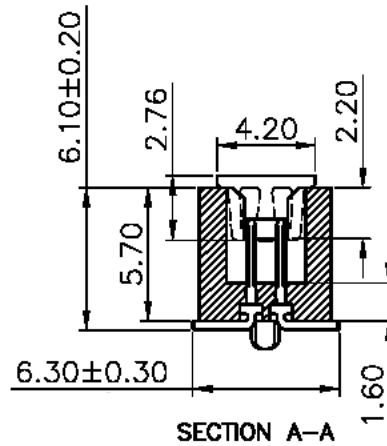
D

E

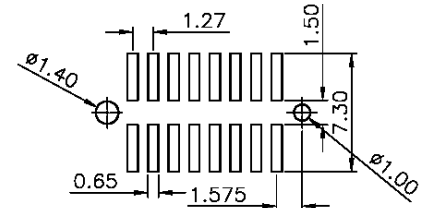


SPECIFICATIONS

Current rating:	1 amp
Contact material:	Phosphor bronze
Contact plating:	Tin or gold
Contact resistance:	20 milliohms max.
Insulator material:	Polyester UL94V-0, Nylon 6T
Insulation resist.:	1,000 megohms min.
Withstanding:	300VAC for 1 min.
Temperature range:	-40°C to +105°C



Recommended PC Board Layout
(Tolerance: ±0.05)



Series	Type	Positions	Style	Plating	Options
BHD-B	PEC	XX	SM	SG15	XX
.05 x .05 box header	PEC type	10-120	SM=Surface mount	TN=Tin SG15=15µ" selective gold GD15=15µ" gold	PP=Positioning pin TR=Tape and reel PPL=Pick and place pad

RoHS compliant

Rev.	Description	Date	Approved	Drawing	Name	Date
				Approved	Howard	08/10/99
				Checked	Lizzy	08/10/99
				Drawn	Tina	08/10/99
				0.0 ± 0.35	0.00 ± 0.20	Angles ± 3'
				UNIT: mm		

Central Components Manufacturing
 440 Lincoln Blvd., Middlesex, New Jersey 08846
 Phone 732 469-5720 888 288-5152 Fax 732 469-1919

Part No.: **BHD-B-PEC-30-SM-SG15-PP-TR-PPL**

Description: Box header, 1.27mm pitch, dual row, SMT type, with post

1 2 3 4 5 6 7 8 9

G

G