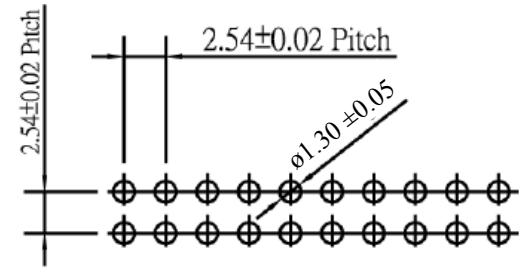
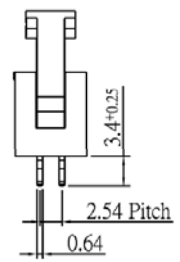
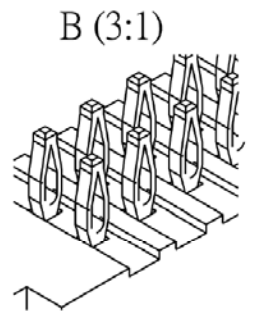
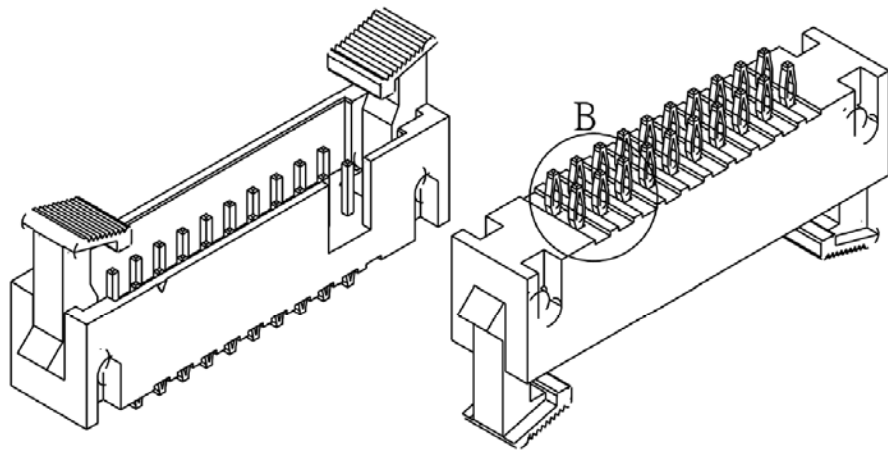
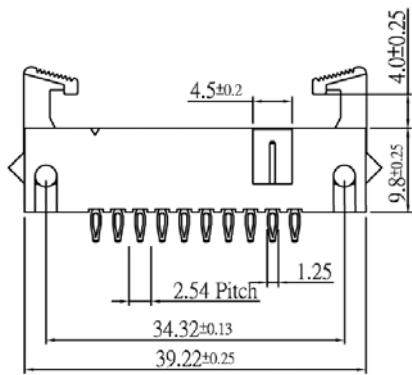
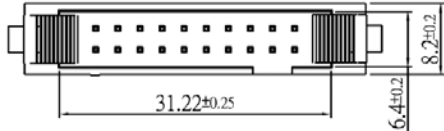


SPECIFICATIONS

Contact material: Brass
 Insulator material: Glass filled PBT
 Contact plating: Gold flash over nickel



PC Board Layout

RoHS compliant

Rev.	Description	Date	Approved	Drawing	Name	Date
				Approved	Howard	08/10/99
				Checked	Lizzy	08/10/99
				Drawn	Tina	08/10/99
				0.0 ± 0.35	0.00 ± 0.20	Angles ± 3'
				UNIT: mm		

Central Components Manufacturing
 440 Lincoln Blvd., Middlesex, New Jersey 08846
 Phone 732 469-5720 888 288-5152 Fax 732 469-1919

Part No.: **BHD-20-ST-SG-PF-LTH**

Description: Box header, 20 position, press fit pin with latch