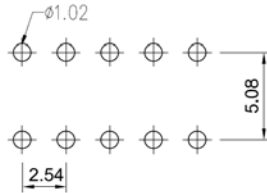
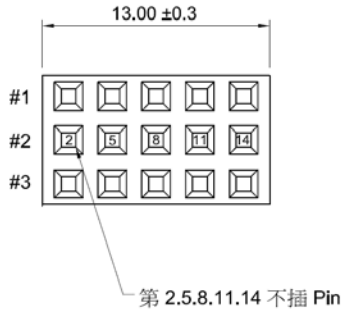
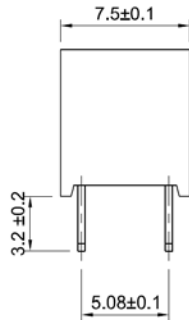
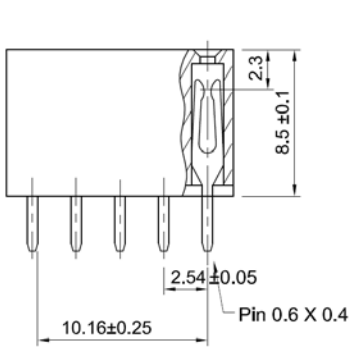


Recommended P.C. Board Hole Layout



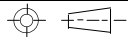
SPECIFICATIONS

Current Rating:	3 Amps
Insulator Resistance:	1000 Megohms min.
Contact Resistance:	20m ohms max.
Contact Material:	Brass
Insulator Material:	Polyester, UL94V-0 PBT
Withstanding:	AC 600V
Operating Temp:	Brass



Series	Rows	Positions	Plating	Options
ARS	0X	XX	XX	XX
.100 pitch receptacle strip	01=Single St 02=Dual St 03=Single RA 04=Dual RA 05=Triple St 06=Triple RA 07=Quad St 08=Quad RA	04-80	TN=Tin SGXX=Selective Gold GDXX=Gold XX=Flash if blank, 10,15, 30u"	N2=Row 2 empty

RoHS compliant

Rev.	Description	Date	Approved	Drawing	Name	Date
				Approved	Howard	03/05/08
				Checked	Lizzy	03/05/08
				Drawn	Tina	03/05/08
				0.0 ± 0.35	0.00 ± 0.20	Angles ± 3'
				 UNIT: mm		


Central Components Manufacturing
 440 Lincoln Blvd., Middlesex, New Jersey 08846
 Phone 732 469-5720 888 288-5152 Fax 732 469-1919

Part No.: **ARS-05-10-XX-N2**

Description: Three row straight receptacle strip, .100" pitch, row 2 empty