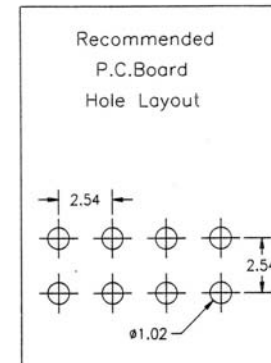
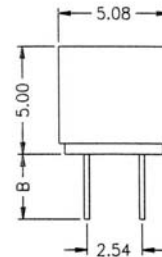
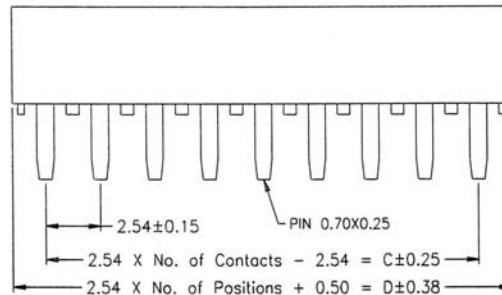
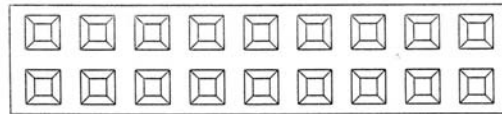
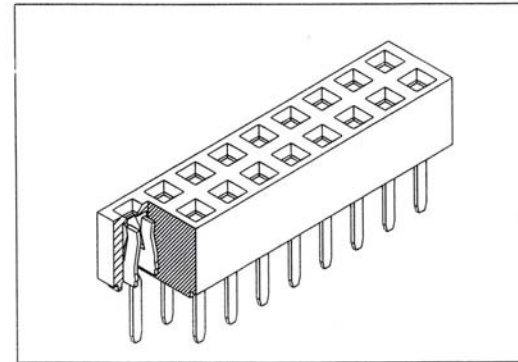


SPECIFICATIONS

Current Rating: 3 Amp
 Contact Material: Copper Alloy
 Contact Plating: Gold/Tin over Nickel
 Contact Resistance: 20mΩ Max.
 Insulation Material: Glass Filled Polyester (UL94V-0)
 Insulation Resistance: 1000MΩ Min.
 Withstanding: 600V AC
 Operating Temp: -40C to +105C



Series	Rows	Profile	Positions	Plating	Tail Length
ARS	02	LPX	XX	XX	XX
Receptacle Strip	02=2 Rows	LP=5.00mm LPB=7.1mm	02-40	TN=Tin SG=Selective Gold GD=Gold	Blank=3.0mm

RoHS compliant

Rev.	Description	Date	Approved	Drawing	Name	Date
				Approved	Howard	01/06/10
				Checked	Lizzy	01/06/10
				Drawn	Tina	01/06/10
				0.0 ± 0.35	0.00 ± 0.20	Angles ± 3'
					UNIT: mm	

Central Components Manufacturing
 440 Lincoln Blvd., Middlesex, New Jersey 08846
 Phone 732 469-5720 888 288-5152 Fax 732 469-1919

Part No.: **ARS-02-LPX-XX-XX-XX**

Description: 2.54 x 2.54mm (0.1" x 0.1") Female Header Dual Row DIP