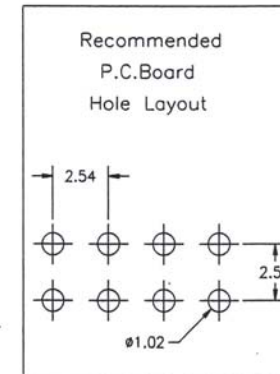
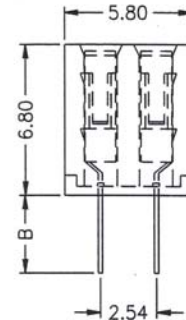
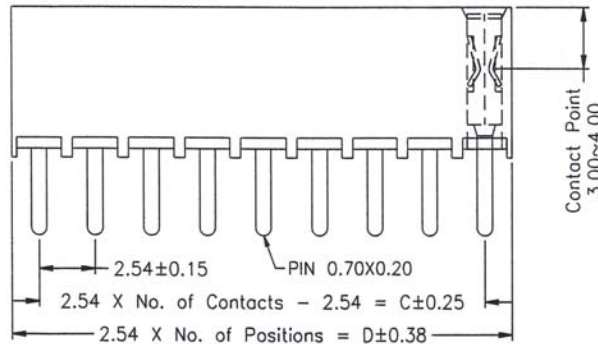
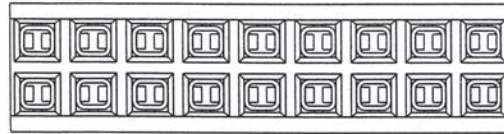
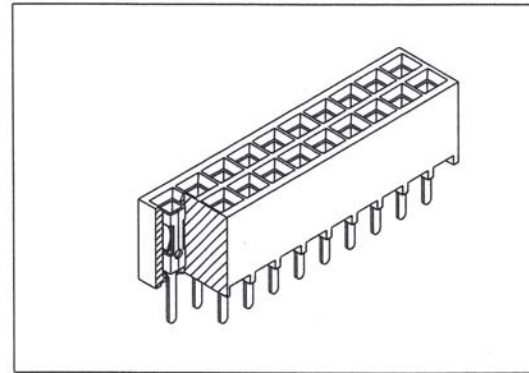


SPECIFICATIONS

Current Rating: 3 Amp
 Contact Material: Copper Alloy
 Contact Plating: Gold/Tin over Nickel
 Contact Resistance: 20mΩ Max.
 Insulation Material: Glass Filled Polyester (UL94V-0)
 Insulation Resistance: 1000MΩ Min.
 Withstanding: 600V AC
 Operating Temp: -40C to +105C



| Series | Rows | Profile | Positions | Plating | Tail Length | Options |
|------------------|-----------|------------|-----------|--|-------------|------------------------|
| ARS | 02 | LPC | XX | XX | XX | XX |
| Receptacle Strip | 02=2 Rows | LPC=6.00mm | 02-30 | TN=Tin SG=Selective Gold GD=Gold | Blank=3.5mm | 4S=4 Sided Contacts |

RoHS compliant

| Rev. | Description | Date | Approved | Drawing | Name | Date |
|------|-------------|------|----------|------------|-------------|-------------|
| | | | | Approved | Howard | 01/06/10 |
| | | | | Checked | Lizzy | 01/06/10 |
| | | | | Drawn | Tina | 01/06/10 |
| | | | | 0.0 ± 0.35 | 0.00 ± 0.20 | Angles ± 3' |
| | | | | UNIT: mm | | |

Central Components Manufacturing
 440 Lincoln Blvd., Middlesex, New Jersey 08846
 Phone 732 469-5720 888 288-5152 Fax 732 469-1919

Part No.: **ARS-02-LPC-XX-XX-4S**

Description: 2.54 x 2.54mm (0.1" x 0.1") Female Header Dual Row DIP