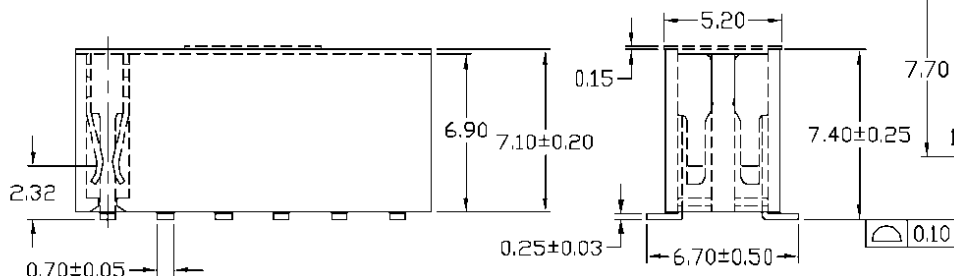
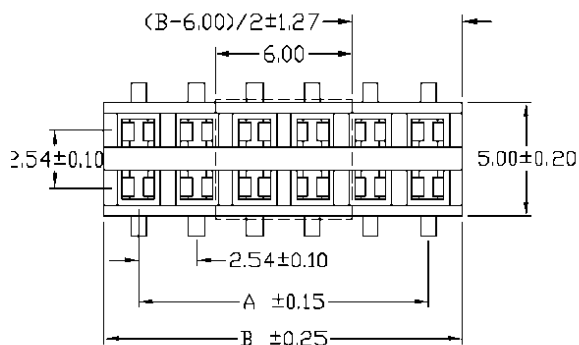
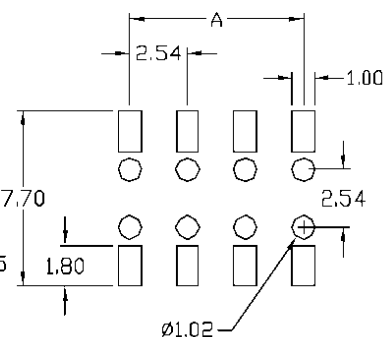


SPECIFICATIONS

Current rating: 3 amps
 Contact material: Phosphor bronze
 Contact resistance: 20 milliohms max.
 Contact plating: Tin or gold
 Insulator material: High temperature thermoplastic, UL94V-0
 Insulator resistance: 5,000 megohms min.
 Withstanding: 500VAC for 1 min.
 Operating temperature: -40°C to +105°C



Recommended PC Board Layout
(PCB tolerance ±0.05mm)



Dimensions		
Item	A	B
6	5.08	8.12
8	7.62	10.68
10	10.16	13.29
12	12.70	15.74
14	15.24	18.28
16	17.78	20.82
18	20.32	23.36
20	22.86	25.90
22	25.40	28.44
24	27.94	30.98
26	30.48	33.52
28	33.02	36.06
30	35.56	38.60
32	38.10	41.14
34	40.64	43.68
36	43.18	46.22
38	45.72	48.76
40	48.26	51.30
42	50.80	53.84
44	53.34	56.38
46	55.88	58.92
48	58.42	61.46
50	60.96	64.00
52	63.50	66.54
54	66.04	69.08
56	68.58	71.62
58	71.12	74.16
60	73.66	76.70
62	76.20	79.24
64	78.74	81.78
66	81.28	84.32
68	83.82	86.86
70	86.36	89.40
72	88.90	91.94
74	91.44	94.48
76	93.98	97.02
78	96.52	99.56
80	99.06	102.10

Series	Rows	Style	Positions	Plating	Options
ARS	02	BE	XX	XX	SM
Receptacle strip	Dual rows	BE=Bottom entry	6-80	TN=Tin GD=Gold GD15=15µ" gold GD30=30µ" gold	SM=Surface mount

RoHS compliant

Rev.	Description	Date	Approved	Drawing	Name	Date
				Approved	Howard	08/10/01
				Checked	Lizzy	08/10/01
				Drawn	Tina	08/10/01
				0.0 ± 0.35	0.00 ± 0.20	Angles ± 3'
				UNIT: mm		

Central Components Manufacturing
 440 Lincoln Blvd., Middlesex, New Jersey 08846
 Phone 732 469-5720 888 288-5152 Fax 732 469-1919

Part No.: **ARS-02-BE-XX-XX-SM**

Description: Receptacle strip, 2.54mm x 2.54mm surface mount socket, bottom entry