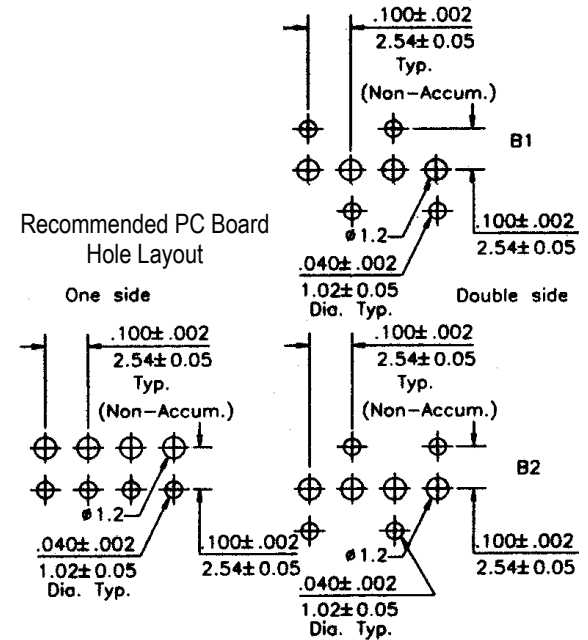
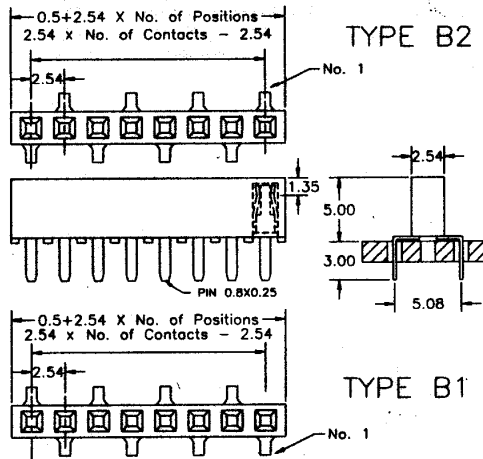
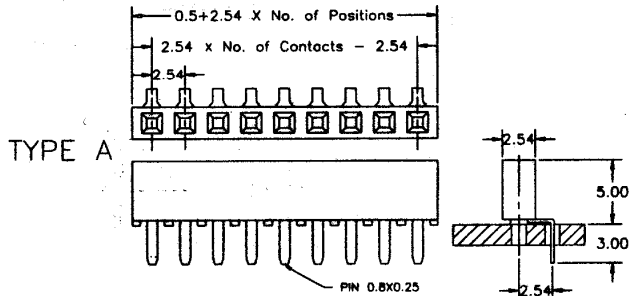
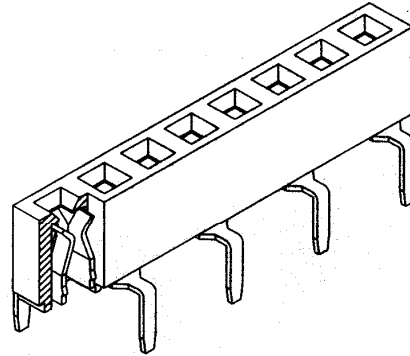


SPECIFICATIONS

Current rating: 3 amps
 Contact material: Phosphor bronze
 Contact plating: Tin, gold, or selective gold
 Contact resistance: 20 milliohms max.
 Insulator material: Polyester or PBT, UL94V-0
 Insulator resistance: 5,000 megohms min.
 Withstanding: 500VAC for 1 min.
 Operating temperature: -40°C to +105°C



RoHS compliant

Rev.	Description	Date	Approved	Drawing	Name	Date
				Approved	Howard	08/10/99
				Checked	Lizzy	08/10/99
				Drawn	Tina	08/10/99
				0.0 ± 0.35	0.00 ± 0.20	Angles ± 3'
				UNIT: mm		

Central Components Manufacturing
 440 Lincoln Blvd., Middlesex, New Jersey 08846
 Phone 732 469-5720 888 288-5152 Fax 732 469-1919

Part No.: **ARS-01BX-XX-XX**

Description: Female receptacle strip, single row, dual entry