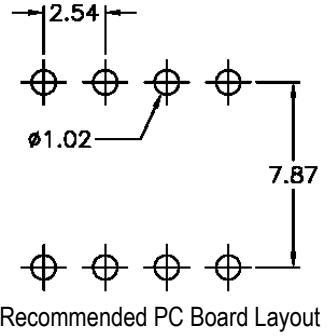
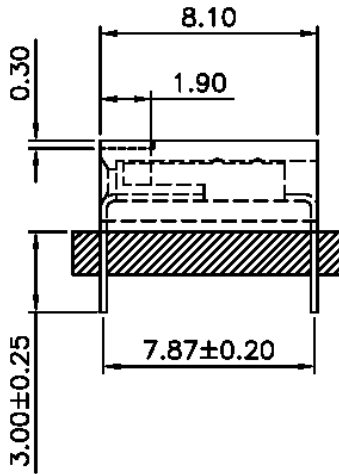
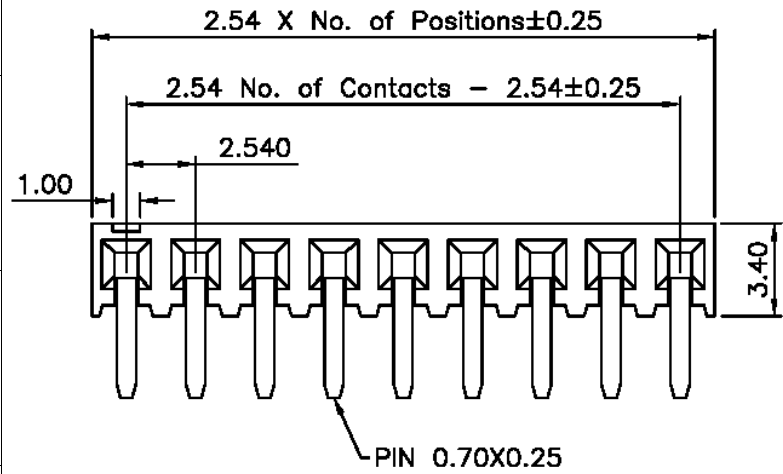




**SPECIFICATIONS**  
 Current rating: 3 amps  
 Contact material: Phosphor bronze  
 Contact resistance: 20 milliohms max.  
 Insulator material: Polyester, UL94V-0  
 02-24 pin: PBT  
 25-40 pin: PA6T+20% GF  
 Insulation resistance: 1,000 megohms min. 500VDC  
 Withstanding: 600VAC for 1 min.  
 Operating temperature: -40°C to +105°C



| Series           | No. of Rows           | No. of Contacts                        | Plating Options   | Special Options                       |
|------------------|-----------------------|--|---|---------------------------------------|
| ARS              | XX                    | XX                                     | XX  | XX                                    |
| Receptacle strip | 01=1 row<br>02=2 rows | Single Row: 02-40<br>Double Row: 04-80 | TN=Tin<br>GDXX=Gold<br>SGXX=Selective gold<br>XX=Flash if blank; 15, 30, 50µ" | SM=Surface mount<br>RT=Retention tail |

RoHS compliant

| Rev. | Description | Date | Approved | Drawing    | Name        | Date        |
|------|-------------|------|----------|------------|-------------|-------------|
|      |             |      |          | Approved   | Howard      | 08/10/99    |
|      |             |      |          | Checked    | Lizzy       | 08/10/99    |
|      |             |      |          | Drawn      | Tina        | 08/10/99    |
|      |             |      |          | 0.0 ± 0.35 | 0.00 ± 0.20 | Angles ± 3' |
|      |             |      |          | UNIT: mm   |             |             |

**Central Components Manufacturing**  
 440 Lincoln Blvd., Middlesex, New Jersey 08846  
 Phone 732 469-5720 888 288-5152 Fax 732 469-1919

Part No.: **ARS-01-SE-XX-XX**  
 Description: Header, 2.54mm pitch, female, dual row, DIP type, side entry