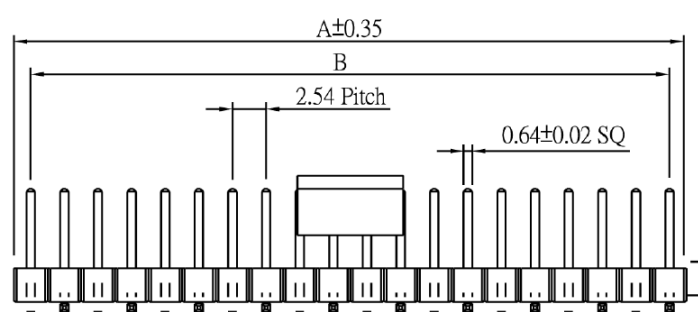
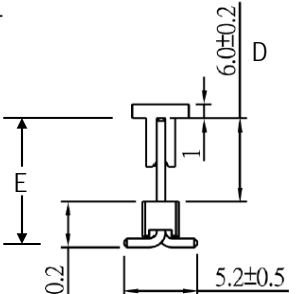
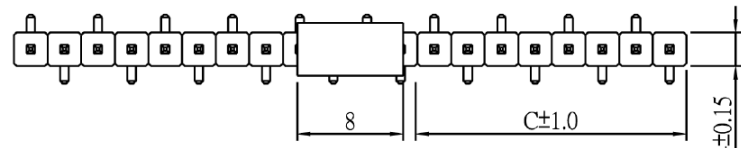
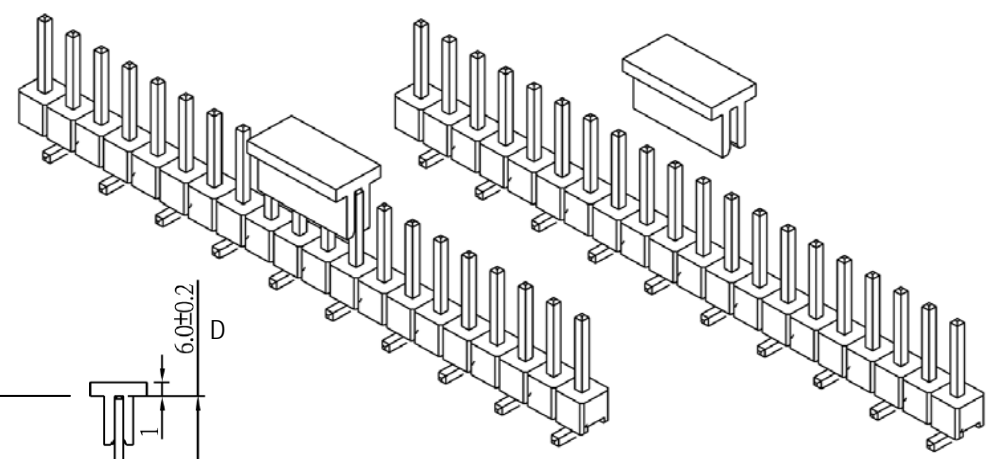


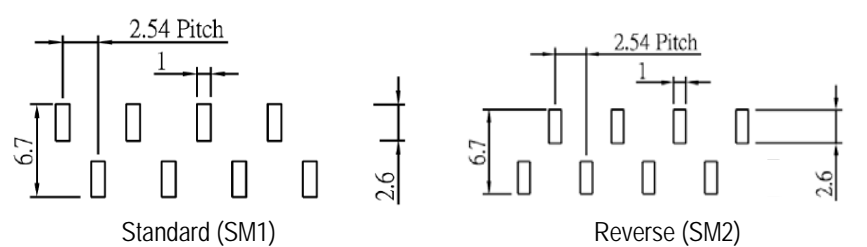
**SPECIFICATIONS**

Contact material: Brass  
 Insulator material: Nylon 9T  
 Insulator color: Black  
 Contact plating: Gold over nickel  
 Solder plating: Tin over nickel  
 Operating Temp: -65C to +125C



$A = 2.54 * \text{No of Positions}$   
 $B = A - 2.54$   
 $C = (A - 8) / 2$

PC Board Layout



Series	Rows	Total Contacts	Type	Contact length	Plating	Options
APH	X	XX	XX	XXX	XX	XX
Pin header, .100" pitch	1=Single 2=Double	Single row 1-40 Dual row 2-80	[blank]=Straight RA=Right angle SMX=Surface mount X: See Chart	SDA=.240" mating length SDB=.318" mating length CSL(D/E)=Customer specified length	TN=Tin GDXX=Gold SGXX=Duplex XX=Flash if blank; 15, 30, or 50µ"	Blank=None PPL=Pick and Place Pad HT=High Temp

**RoHS compliant**

Rev.	Description	Date	Approved	Drawing	Name	Date
				Approved	Howard	08/10/99
				Checked	Lizzy	08/10/99
				Drawn	Tina	08/10/99
				0.0 ± 0.35	0.00 ± 0.20	Angles ± 3'
				UNIT: mm		

**Central Components Manufacturing**  
 440 Lincoln Blvd., Middlesex, New Jersey 08846  
 Phone 732 469-5720 888 288-5152 Fax 732 469-1919

Part No.: **APH-1-XX-SM1-SDA-XX-PPL**

Description: Pin header, 2.54 pitch, SMT type, single row