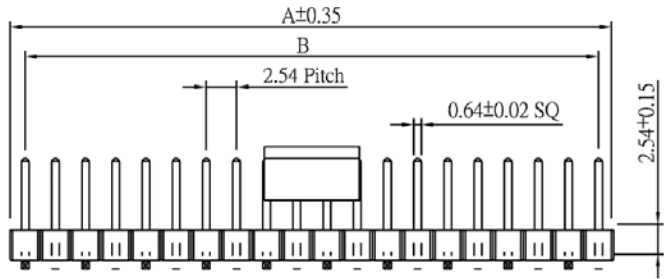
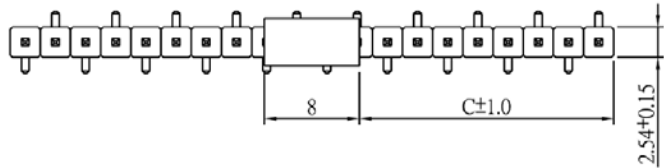
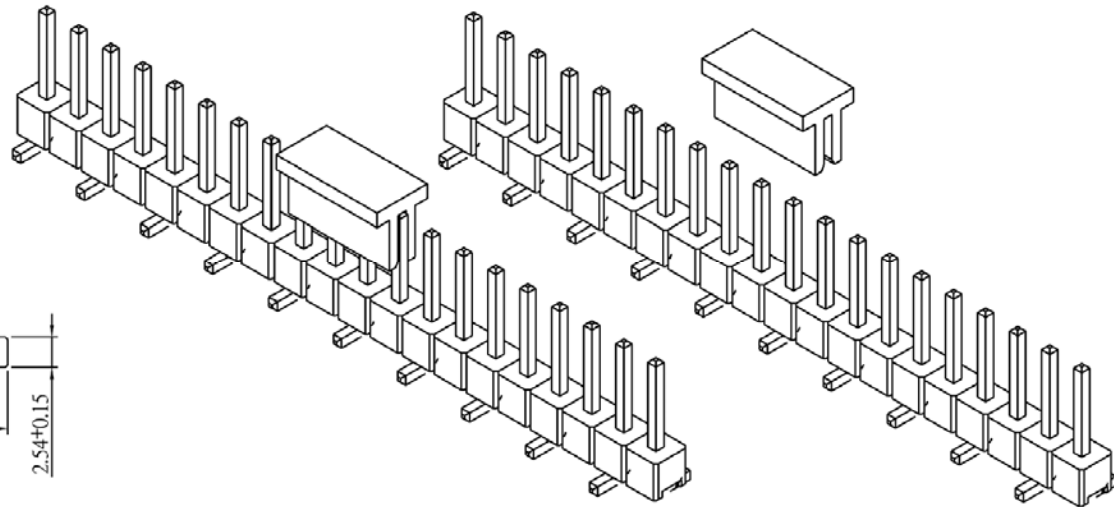
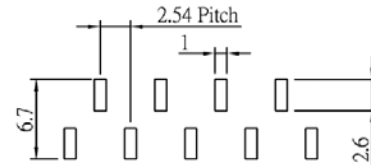
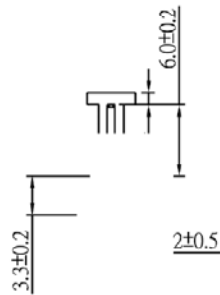


SPECIFICATIONS

Contact material: Brass
 Insulator material: Nylon 6T
 Insulator color: Black
 Contact plating: Gold over nickel
 Solder plating: Tin over nickel



A=2.54 * No of Positions
 B=A-2.54
 C=(A-8)/2



PC Board Layout

RoHS compliant

Rev.	Description	Date	Approved	Drawing	Name	Date
				Approved	Howard	08/10/99
				Checked	Lizzy	08/10/99
				Drawn	Tina	08/10/99
				0.0 ± 0.35	0.00 ± 0.20	Angles ± 3'
				UNIT: mm		
						Central Components Manufacturing 440 Lincoln Blvd., Middlesex, New Jersey 08846 Phone 732 469-5720 888 288-5152 Fax 732 469-1919
						Part No.: APH-1-XX-SM-SDA-SG-PPL
						Description: Pin header, 2.54 pitch, SMT type, single row