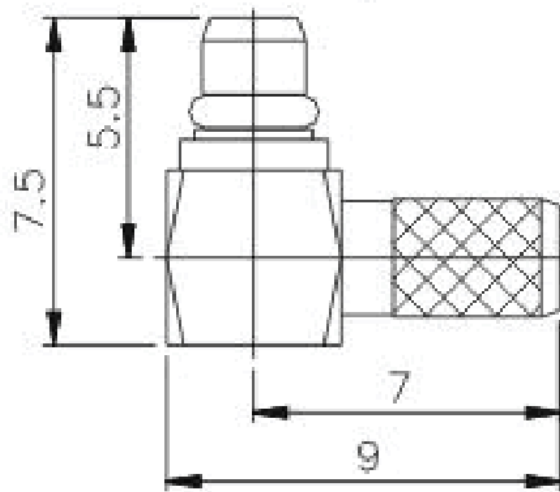


SPECIFICATIONS

Antenna type: Monopole
 Frequency range: 2.45GHz±50MHz
 Impedance: 50 ohms
 Gain: <0dBi
 VSWR: ≤2.0
 Admitted power radiation: 3 watts
 Type of radiation: Omni
 Polarization: Vertical
 Electrical length: 1/4λ
 Standard connector: MMCX R/A (male)
 Operating temperature: -20°C to +65°C
 Storage temperature: -30°C to +75°C



Item	Description	Material	Finish
1	Antenna cover	PU	Black
2	MMCX right angle male	Brass	Gold

RoHS compliant

Rev.	Description	Date	Approved	Drawing	Name	Date
				Approved	Howard	09/29/06
				Checked	Lizzy	09/29/06
				Drawn	Tina	09/29/06
				0.0 ± 0.35	0.00 ± 0.20	Angles ± 3'
				UNIT: mm		

Central Components Manufacturing
 440 Lincoln Blvd., Middlesex, New Jersey 08846
 Phone 732 469-5720 888 288-5152 Fax 732 469-1919

Part No.: **ANT-D87-1**

Description: Mini magnet antenna