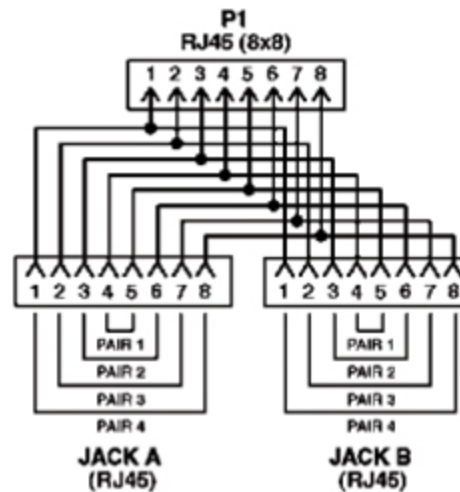


SPECIFICATIONS  
 Housing Material: Plastic, UL94V-0, Gray

Pin Out Chart



RoHS compliant

Rev.	Description	Date	Approved	Drawing	Name	Date
				Approved	Howard	10/26/12
				Checked	Lizzy	10/26/12
				Drawn	Tina	10/26/12
				0.0 ± 0.35	0.00 ± 0.20	Angles ± 3'
					UNIT: mm	

**Central Components Manufacturing**  
 440 Lincoln Blvd., Middlesex, New Jersey 08846  
 Phone 732 469-5720 888 288-5152 Fax 732 469-1919

Part No.: **ADT-RJ45(2)/RJ45-010**

Description: RJ45 Modular Y Bridge Adapter, Pin 1-8 to Pin 1-8