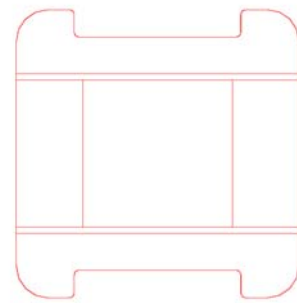
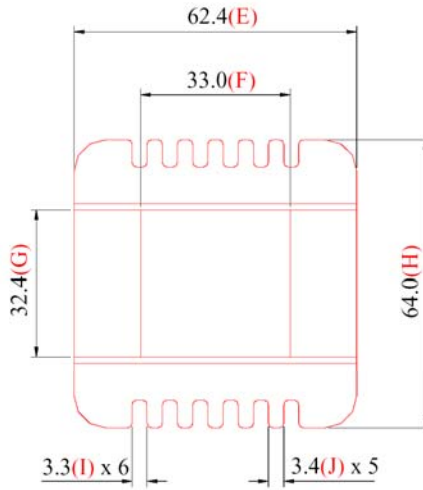
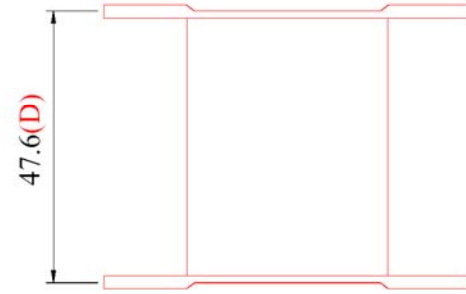
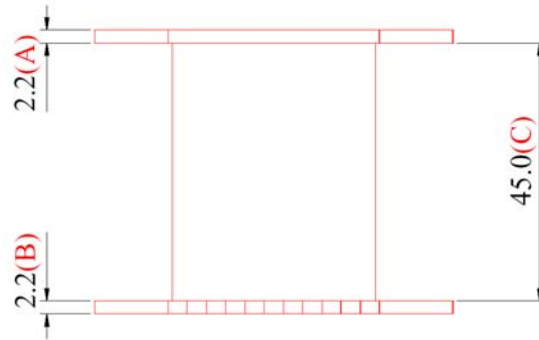


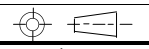
(Unit : mm)



(BOTTOM VIEW)

(TOP VIEW)

RoHS compliant

Rev.	Description	Date	Approved	Drawing	Name	Date
				Approved	Howard	03/20/08
				Checked	Lizzy	03/20/08
				Drawn	Tina	03/20/08
				0.0 ± 0.35	0.00 ± 0.20	Angles ± 3'
				 UNIT: mm		


Central Components Manufacturing
 440 Lincoln Blvd., Middlesex, New Jersey 08846
 Phone 732 469-5720 888 288-5152 Fax 732 469-1919

Part No.: **TRS-01-0960-00010**
 Description: Bobbin