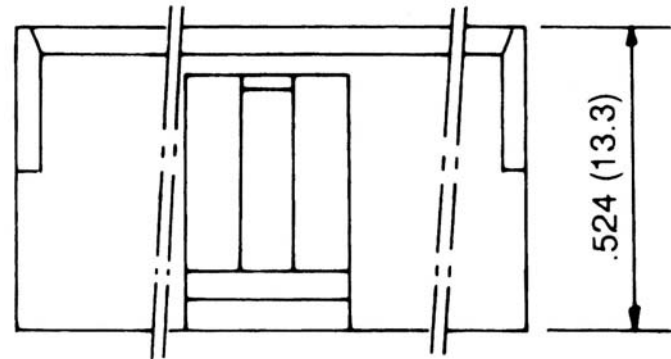
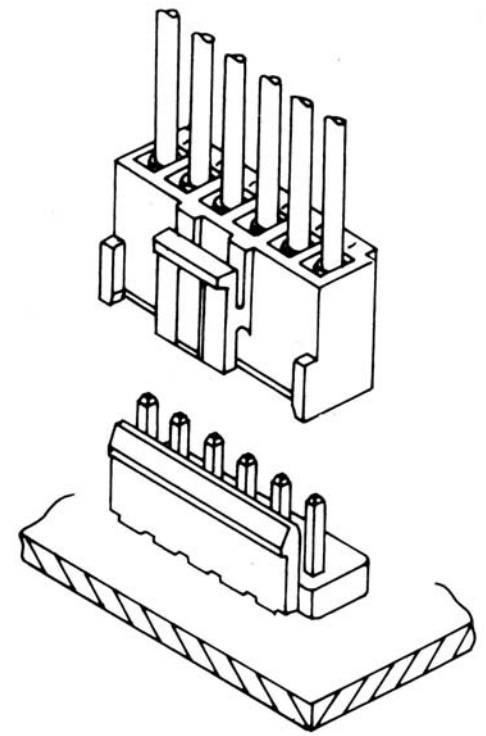
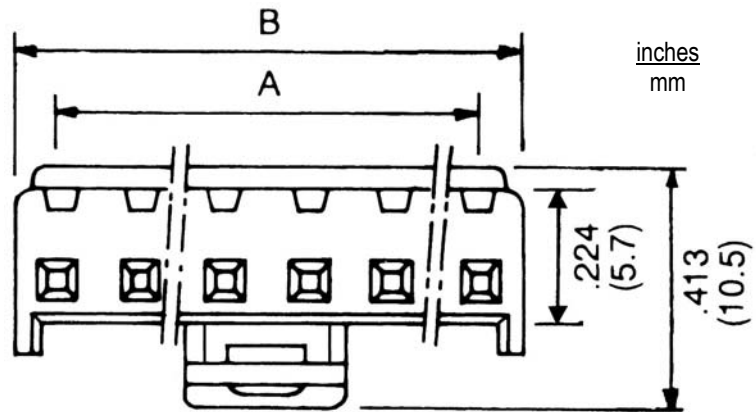


SPECIFICATIONS

Voltage rating: 250VAC/VDC
 Current rating: 7 amps AC/DC
 Housing material: Nylon, UL94V-0
 Housing color: White (std)
 Insulation resistance: 1,000 megohms min.
 Withstanding: 1,500 VAC for 1 min.
 Temperature range: -25°C to +85°C
 Terminal: Accepts JS-A-96T
 Mates with: JS-A-9397, JS-A-9398



Dimensions		
Pos.	A	B
2	.156" (03.96mm)	.309" (07.86mm)
3	.312" (07.92mm)	.465" (11.82mm)
4	.468" (11.88mm)	.621" (15.78mm)
5	.624" (15.84mm)	.777" (19.74mm)
6	.780" (19.80mm)	.933" (23.70mm)
7	.935" (23.76mm)	1.089" (27.66mm)
8	1.091" (27.72mm)	1.245" (31.62mm)
9	1.247" (31.68mm)	1.401" (35.58mm)
10	1.403" (35.64mm)	1.557" (39.54mm)

Series	Type	Positions
JS-A	9396	XX
Disconnectable connector for medium current applications		9396 type, .156" pitch, 2-10

RoHS compliant

Rev.	Description	Date	Approved	Drawing	Name	Date
				Approved	Howard	11/30/07
				Checked	Lizzy	11/30/07
				Drawn	Tina	11/30/07
				0.0 ± 0.35	0.00 ± 0.20	Angles ± 3'
				UNIT: mm		

Central Components Manufacturing
 440 Lincoln Blvd., Middlesex, New Jersey 08846
 Phone 732 469-5720 888 288-5152 Fax 732 469-1919

Part No.: **JS-A-9396-XX**
 Description: Crimp terminal housing, .156" (3.96mm) pitch, for medium current applications