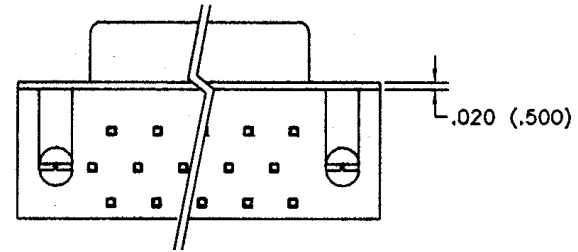
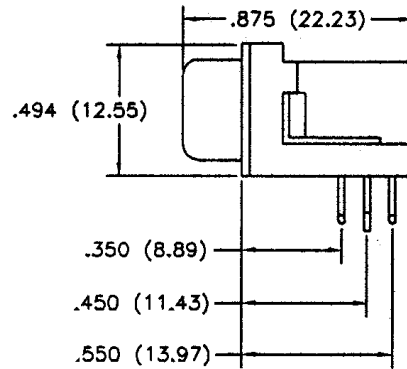
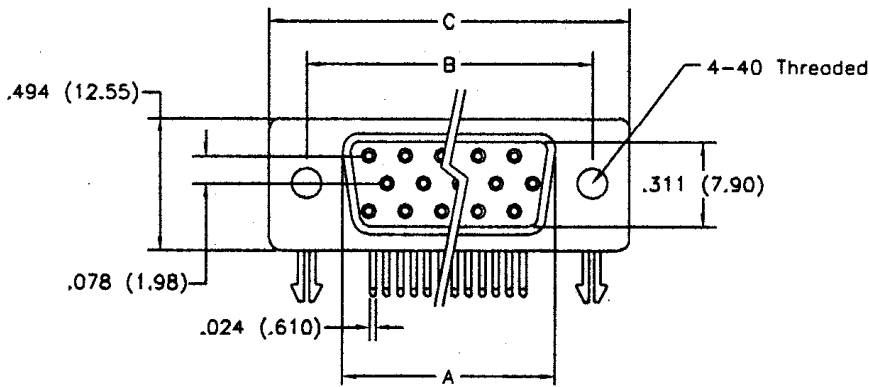


Dimensions (mm)			
Pos.	A	B	C
15	16.33	24.99	30.81
26	24.66	33.32	39.14
44	38.38	47.04	53.04
62	54.84	63.50	69.32
78	52.43	61.11	66.93



**SPECIFICATIONS**

- Operating voltage: 600VDC max.
- Current rating: 5 amps max.
- Contact material: Phosphor bronze, stamped and formed
- Plating, contact area: 5μ" gold (30μ" optional) MIL-G-45204 type 2 grade C over 50μ" nickel QQ-N-290 class 2 grade C
- Plating, solder tails: Gold flash
- Contact resistance: 8 milliohms max.
- Shell material: Steel, tin or chromate plated
- Insulator material: PBT, glass reinforced UL94V-0
- Insulation resistance: 5,000 megohms min.
- Dielectric withstanding: 1,000VAC for 1 min. RMS
- Cycle life: 500 cycles min.
- Insertion force: 10 oz. max. (.041" pin)
- Withdrawal force: 7.1 oz. min. (.039" pin)
- Operating temperature: -55°C to 125°C



Series	Type	Mounting and Face Options	Options
HDSXX	XX	XXX	XX
High-density D-sub, right-angle PCB mount XX=Positions 15, 26, 44, 62, 78	MR=Male FR=Female	FJB=Fixed jackscrews #4-40 with forked boardlocks TIB=Threaded inserts with forked boardlocks TJB=Threaded inserts with removable jackscrews #4-40 and forked boardlocks TSS=Top ground straps with screw holes, without boardlocks	[blank]=None FF=Ferrite filter 30GD=30μ" gold plate 4P=4-prong boardlocks

RoHS compliant

Rev.	Description	Date	Approved	Drawing	Name	Date
				Approved	Howard	08/10/99
				Checked	Lizzy	08/10/99
				Drawn	Tina	08/10/99
				0.0 ± 0.35	0.00 ± 0.20	Angles ± 3'
				UNIT: mm		

**Central Components Manufacturing**  
440 Lincoln Blvd., Middlesex, New Jersey 08846  
Phone 732 469-5720 888 288-5152 Fax 732 469-1919

Part No.: **HDSXX-FR-TIB**

Description: High-density D-subminiature connector, female, right angle, PCB mount, threaded inserts with forked boardlocks

