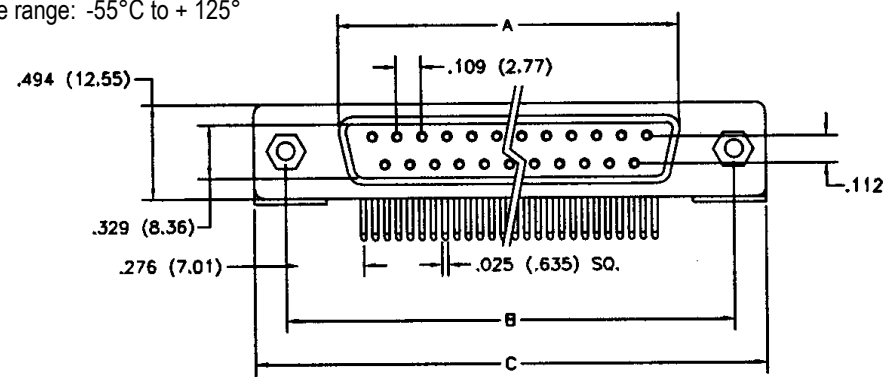
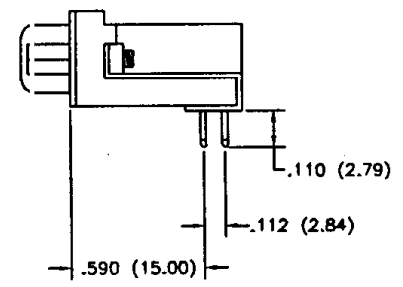
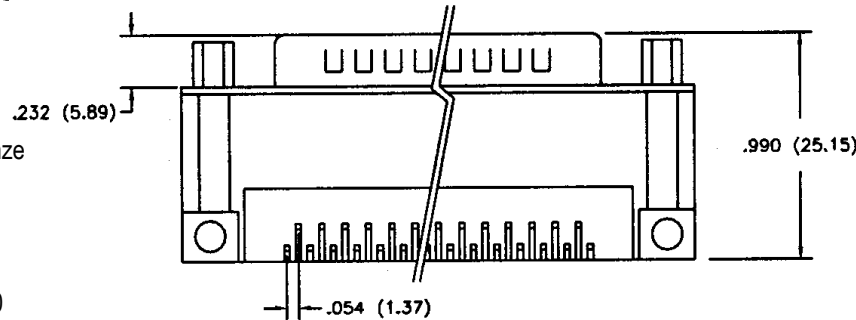


**SPECIFICATIONS:**

- Current rating: 1 amp max.
- Voltage rating: 250VAC max.
- Contact material: Pin (male), brass  
Socket (female), phosphor bronze
- Contact plating: Gold over nickel
- Contact resistance: 10 milliohms max.
- Shell material: Steel
- Shell plating: Tin or chromate
- Insulator material: PBT, glass reinforced, UL94V-0
- Insulator resistance: 5,000 megohms min.
- Withstanding: 1000 VAC for 1 min.
- Cycle life: 500 insertion/separation cycles min.
- Temperature range: -55°C to + 125°



Pos.	A	B	C
9	0.666	0.984	1.213
15	0.994	1.312	1.541
25	4.534	1.852	2.088
37	2.182	2.500	2.729

DSXX	ML	XX	X	XX
D-subminiature right angle .590" mount XX=09, 15, 25, 37 (See chart)	ML=Male FL Female	WH=Wraparound ground straps w/ screw holes on half flanges WF=Wraparound ground straps w/ screw holes on full flanges TH=Top side only ground straps w/ screw holes on half flanges TF=Top side only ground straps w/ screw holes on full flanges FH=Forked boardlocks on half flange FW=Forked boardlocks on full flange	A=#4-40 fixed jackscrews B=#4-40 threaded inserts C=#4-40 threaded inserts with jackscrews installed or on the side D=.120" non-threaded through holes	[blank]=None 30GD=30μ" gold plating FF=Ferrite filter installed TN=Tin plating

**RoHS compliant**

Rev.	Description	Date	Approved	Drawing	Name	Date
				Approved	Howard	8/10/99
				Checked	Lizzy	8/10/99
				Drawn	Tina	8/10/99
				0.0 ± 0.35	0.00 ± 0.20	Angles ± 3'
				UNIT: mm		

**Central Components Manufacturing**  
 440 Lincoln Blvd., Middlesex, New Jersey 08846  
 Phone 732 469-5720 888 288-5152 Fax 732 469-1919

Part No.: **DSXX-ML-XX-X-XX**

Description: D-subminiature right angle .590" mount, male