

SPECIFICATIONS

Current Rating: HDMI=0.5A Max
 Display Port=0.5A Max

Voltage Rating: HDMI=40V AC(RMS)
 Display Port=40V AC(RMS)

Insulation Resistance: HDMI=150V DC
 Display Port=150V DC

Insertion Force: HDMI=44.1N Max
 Display Port=44.1 Max

Withdrawal Force: HDMI=9.8N Min, 39.2N Max
 Display Port=9.8N Min, 39.2N Max

Withstanding: HDMI=300V AC(RMS)
 Display Port=300V AC(RMS)

Operating Temp: HDMI = -25C to +85C
 Display Port = -25C to +85C

Item	Name	Material	Finish
1	Housing	Thermoplastic	UL94V-0
2	Spacer	Thermoplastic	UL94V-0
3	Displayport Shell	Copper Alloy	Nickel Over Copper
4	HDMI Shell	Copper Alloy	Nickel Over Copper
5	Back Shell	Steel	Nickel Over Copper
6	Displayport Contact	Copper Alloy	Selective Gold Over Nickel
7	HDMI Contact	Copper Alloy	Selective Gold over Nickel

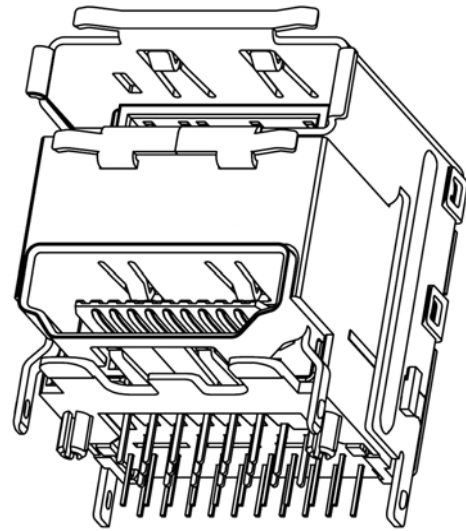
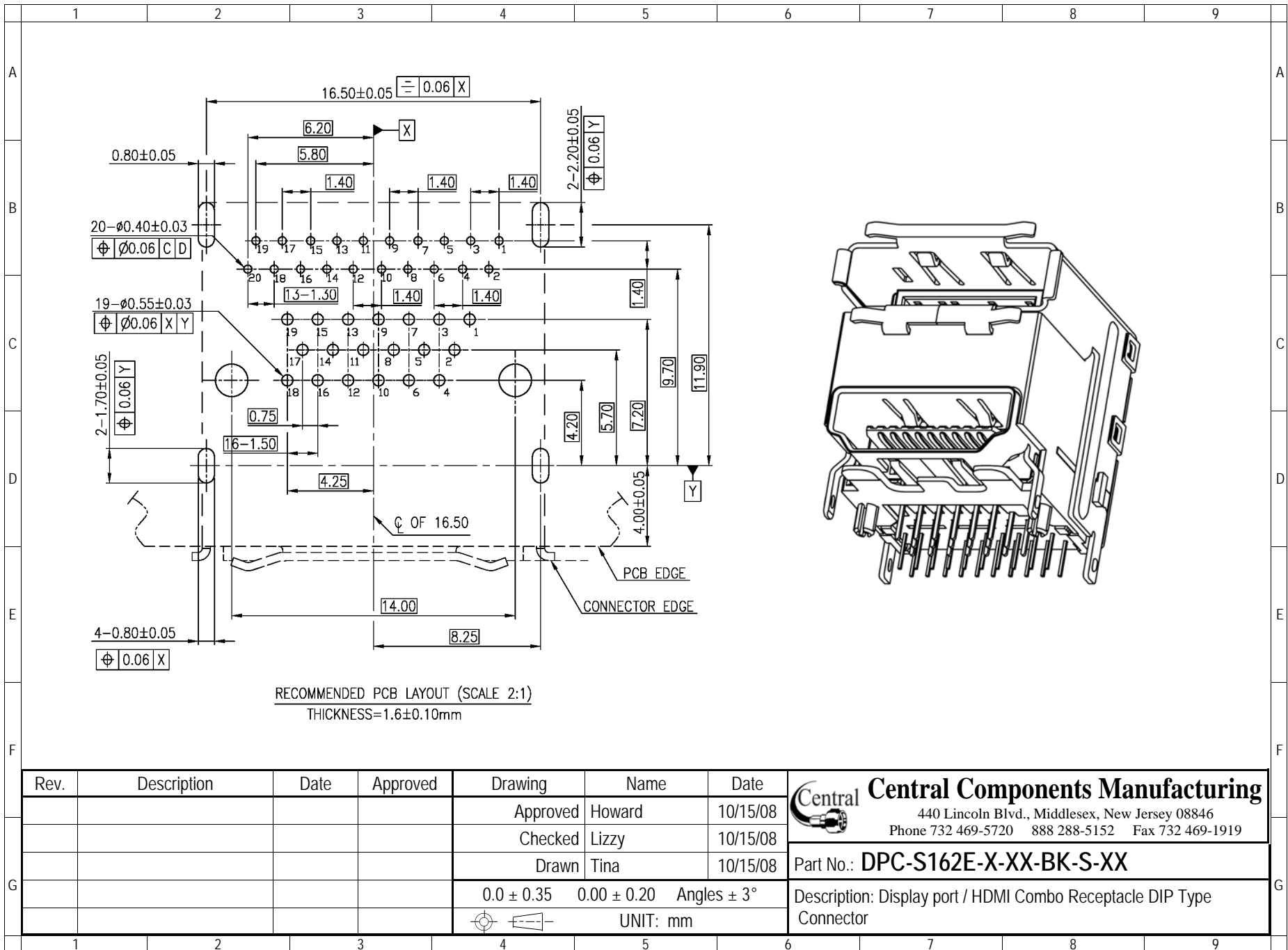
Series	Type	Shell Type	Shell Plating	Color	Contact Type	Contact Plating
DPC	S162E	X	XX	BK	S	XX
Display Port Connector	HDMI & Display Port Combo Receptacle DIP Type	R=Through Hole w/ Rib and w/o Peg (std) RP=Through Hole w/ Rib and Peg P=Through Hole w/ Peg and w/o Rib S=Through Hole w/o Rib or Peg	GD=Gold Flash N=Nickel Plating (std)	BK=Black	S=Socket	SG=Selective Gold Flash over Nickel SG15=Selective 15u" Gold over Nickel (std) SG30=Selective 30u" Gold over Nickel GD=Gold Flash over Nickel

RoHS compliant

Rev.	Description	Date	Approved	Drawing	Name	Date
				Approved	Howard	10/15/08
				Checked	Lizzy	10/15/08
				Drawn	Tina	10/15/08
				0.0 ± 0.35	0.00 ± 0.20	Angles ± 3°
				UNIT: mm		

Central Components Manufacturing
 440 Lincoln Blvd., Middlesex, New Jersey 08846
 Phone 732 469-5720 888 288-5152 Fax 732 469-1919

Part No.: **DPC-S162E-X-XX-BK-S-XX**
 Description: Display port / HDMI Combo Receptacle DIP Type Connector



Rev.	Description	Date	Approved	Drawing	Name	Date
				Approved	Howard	10/15/08
				Checked	Lizzy	10/15/08
				Drawn	Tina	10/15/08
				0.0 ± 0.35	0.00 ± 0.20	Angles $\pm 3^\circ$
					UNIT: mm	

Central Components Manufacturing
 440 Lincoln Blvd., Middlesex, New Jersey 08846
 Phone 732 469-5720 888 288-5152 Fax 732 469-1919

Part No.: **DPC-S162E-X-XX-BK-S-XX**
 Description: Display port / HDMI Combo Receptacle DIP Type Connector