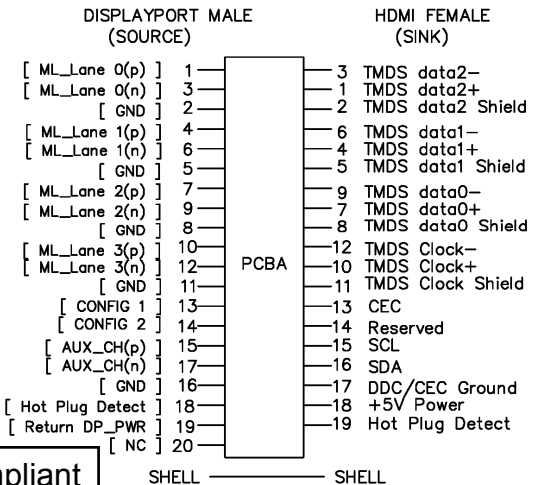


**SPECIFICATIONS**

- Converts low-swing AC coupled differential input to HDMI rev 1.3 compliant open-drain current steering Rx terminated differential output.
- Compliant to VESA Interop Guidelines.
- HDMI level shifting operation up to 2.5Gbps per lane (250MHz pixel clock)
- Integrated 50-ohm termination resistors for AC-coupled differential inputs
- Enable/Disable feature to turn off TMDS outputs to enter low power state.
- I°C buffer for ATC DDC Cap test support
- Transparent operation: no re-timing or configuration required.
- Level shifter for HPD single from HDMI connector
- Integrated pull-down on HPD\_sink input guarantees "input low" when no display is plugged in

**PIN ASSIGNMENT:**



Item	Name	Description
1	Connector 1	Displayport Male w/o Latch
2	Connector 2	HDMI A Type Female
3	PCBA	DP to HDMI PCAB FR-4 T:1.6mm
4	Innermold	PE Low Density
5	Overmold	PVC 70Pa UL94V-0, Color: Black

Series	Type	Color	Contact Plating	Shell Plating
DPC	1901159	XX	XX	X
Displayport Connector	w/o latch female to HDMI male adapter	BK=Black BN=Brown RD=Red OR=Orange YL=Yellow GN=Green BL=Blue WT=White GY=Grey	GD=Gold Flash GD15=Gold 15u" GD30=Gold 30u"	G=Gold N=Nickel

**RoHS compliant**

Rev.	Description	Date	Approved	Drawing	Name	Date
				Approved	Howard	10/15/08
				Checked	Lizzy	10/15/08
				Drawn	Tina	10/15/08
				0.0 ± 0.35	0.00 ± 0.20	Angles ± 3°
				UNIT: mm		

**Central Components Manufacturing**  
 440 Lincoln Blvd., Middlesex, New Jersey 08846  
 Phone 732 469-5720 888 288-5152 Fax 732 469-1919

Part No.: **DPC-1901159-XX-XX-X**

Description: Displayport w/o latch female to HDMI male adapter