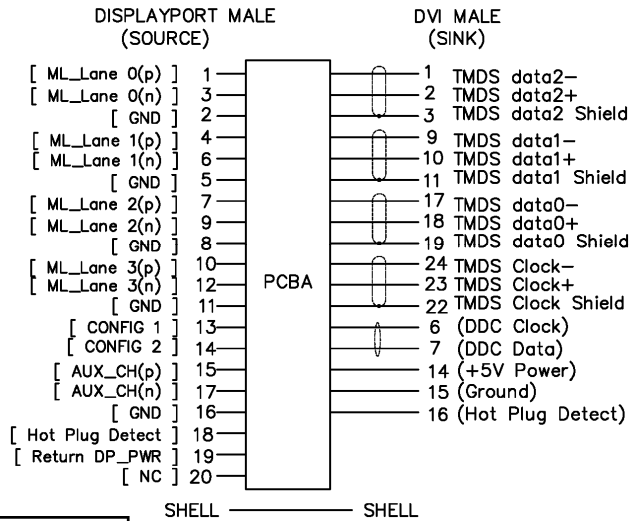


PIN ASSIGNMENT:



SPECIFICATIONS

- Converts low-swing AC coupled differential input to HDMI rev 1.3 compliant open-drain current steering Rx terminated differential output.
- Compliant to VESA Interop Guidelines.
- HDMI level shifting operation up to 2.5Gbps per lane (250MHz pixel clock)
- Integrated 50-ohm termination resistors for AC-coupled differential inputs
- Enable/Disable feature to turn off TMDS outputs to enter low power state.
- I²C buffer for ATC DDC Cap test support
- Transparent operation: no re-timing or configuration required.
- Level shifter for HPD single from HDMI connector

Item	Name	Material
1	Cable	UL20276 (28AWG*1PR+AL+D+Mylar)*4+28AWG*1P+28AWG*3C+AL/Mylar+Braid OD:6.5 PVC Jacket, Black Impedance:100Ohm
2	Connector 1	Display Port Plug Contact:Plate Gold (optional) Shell Plating: Gold (optional)
3	Connector 2	DVI(18+1) Male Contact: Plate Gold (options) Shell Plating: Gold (optional)
4	PCBA	70PA Black (optional)
5	Screw	Thumbscrew #4=4 Ounce Black ABS Ni-Plated (optional)

RoHS compliant

Rev.	Description	Date	Approved	Drawing	Name	Date
				Approved	Howard	10/15/08
				Checked	Lizzy	10/15/08
				Drawn	Tina	10/15/08
				0.0 ± 0.35	0.00 ± 0.20	Angles ± 3°
				UNIT: mm		

Central Components Manufacturing
 440 Lincoln Blvd., Middlesex, New Jersey 08846
 Phone 732 469-5720 888 288-5152 Fax 732 469-1919

Part No.: **DPC-18-94202**

Description: Display Port to DVI Cable