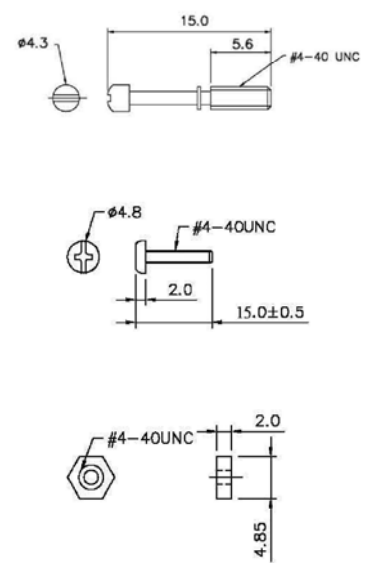


**SPECIFICATIONS**  
 Shell: ABS (UL94-HB)  
 Shell Plating: Nickel Plated  
 Accessories: Steel, Nickel Plating



RoHS compliant

| Series          | Material  | Hardware                                  |
|-----------------|---|---|
| DBS15           | XX  | XX  |
| D-Sub Backshell | PG=Gray Plastic<br>PB=Black Plastic<br>PI=Ivory Plastic<br>PN=Nickle Plated Plastic | SS=Standard Screw<br>MS=Metal Thumb Screw |

| Rev. | Description | Date | Approved | Drawing    | Name        | Date        |
|------|-------------|------|----------|------------|-------------|-------------|
|      |             |      |          | Approved   | Howard      | 02/28/05    |
|      |             |      |          | Checked    | Lizzy       | 02/28/05    |
|      |             |      |          | Drawn      | Tina        | 02/28/05    |
|      |             |      |          | 0.0 ± 0.35 | 0.00 ± 0.20 | Angles ± 3' |
|      |             |      |          | UNIT: mm   |             |             |

**Central Components Manufacturing**  
 440 Lincoln Blvd., Middlesex, New Jersey 08846  
 Phone 732 469-5720 888 288-5152 Fax 732 469-1919

Part No.: **DBS15-XX-XX**

Description: 15 Position Plastic D-Sub Backshell