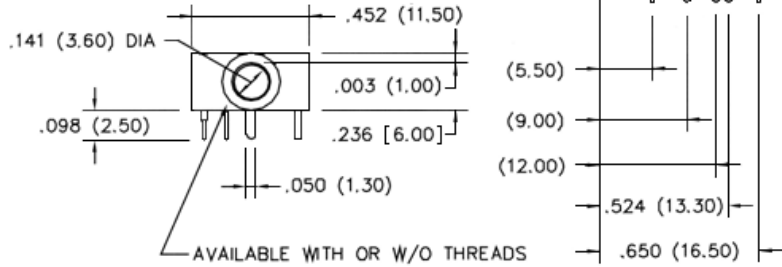
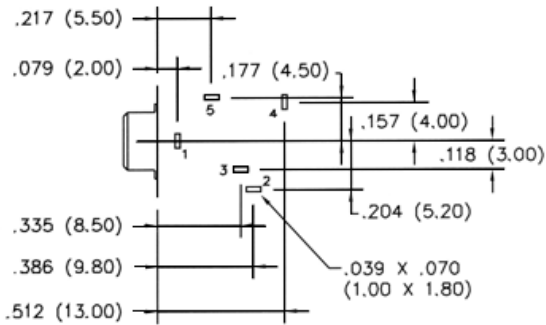


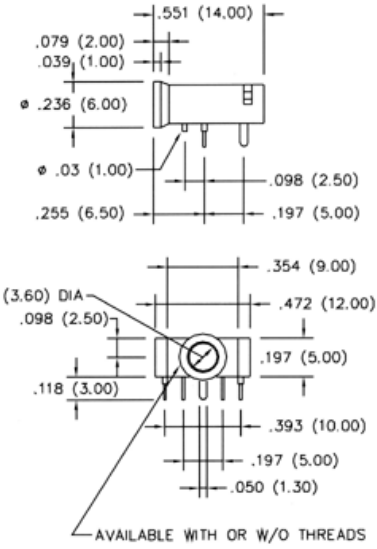
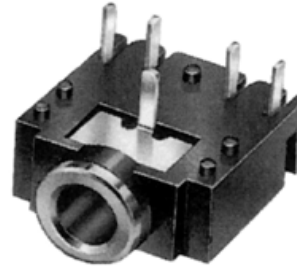
Model 01



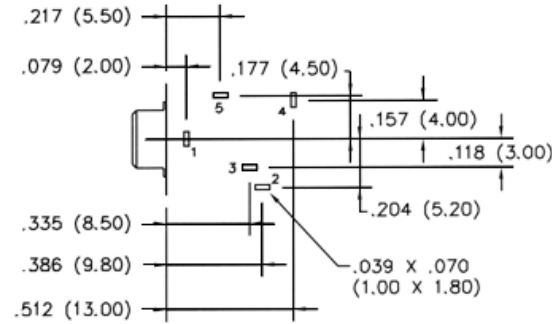
PC Board Layout



Model 02



PC Board Layout



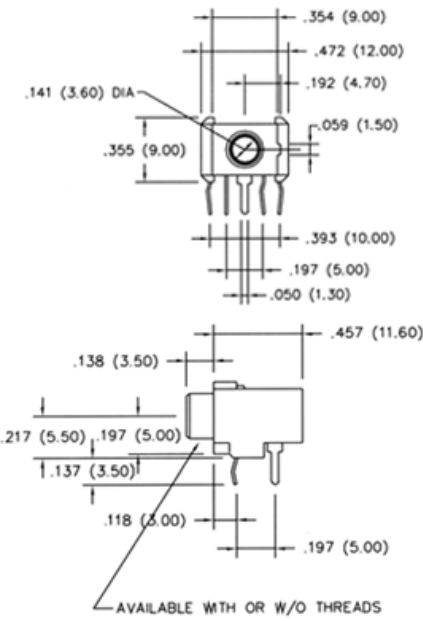
Rev.	Description	Date	Approved	Drawing	Name	Date
				Approved	Howard	08/30/05
				Checked	Lizzy	08/30/05
				Drawn	Tina	08/30/05
				0.0 ± 0.35	0.00 ± 0.20	Angles ± 3'
				UNIT: mm		

Central Components Manufacturing
 440 Lincoln Blvd., Middlesex, New Jersey 08846
 Phone 732 469-5720 888 288-5152 Fax 732 469-1919

Part No.: **CPJ-XX-X-XX**

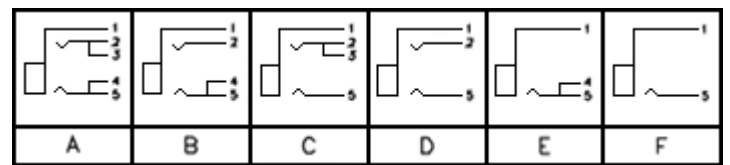
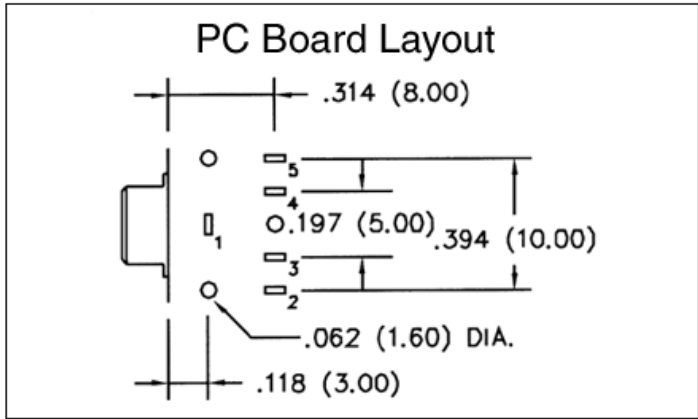
Description: Earphone Jacks 3.5mm PCB

Model 03



SPECIFICATIONS
 Contact Resistance: 30 milliohms max.
 Insulation Resistance: 100 milliohms min.
 Operating Voltage: 500 VDC max.
 Cycle Life: 5000 insertion/separation cycles
 Shell: Brass
 Insulator: PBT Glass reinforced UL94V-0
 Contacts: Phosphor Bronze
 Contact Plating: Tin
 Operating Temperature: -55C to +125C

RoHS compliant



Series	Model	Type	Mating Options
CPJ	XX	X	XX
Phone Jack PCB 3.5mm	01, 02, 03 (see models)	A-F (see dia- grams)	TN=Threaded Mounting Nut WN=W/O Back Cover KT=Kinked Tail

Rev.	Description	Date	Approved	Drawing	Name	Date
				Approved	Howard	08/30/05
				Checked	Lizzy	08/30/05
				Drawn	Tina	08/30/05
				0.0 ± 0.35	0.00 ± 0.20	Angles ± 3'
				UNIT: mm		

Central Components Manufacturing
 440 Lincoln Blvd., Middlesex, New Jersey 08846
 Phone 732 469-5720 888 288-5152 Fax 732 469-1919

Part No.: **CPJ-XX-X-XX**

Description: Earphone Jacks 3.5mm PCB