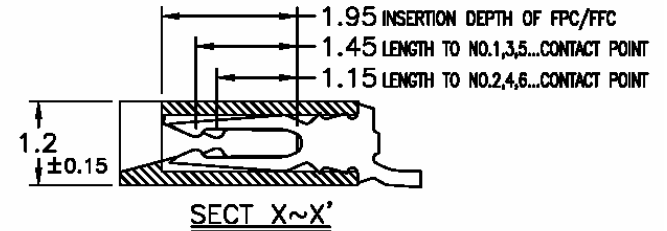
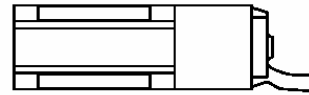
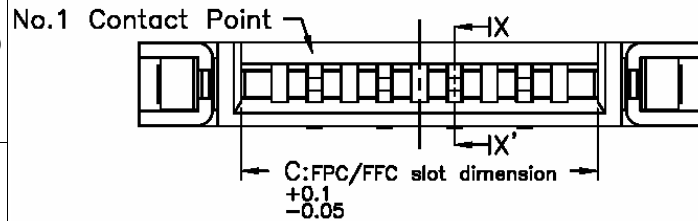


SPECIFICATIONS

Operating voltage: 50 volts
 Current rating: 0.5 amps
 Contact material: Copper alloy
 Contact plating: Tin or gold over nickel
 Solder pad plating: Tin over nickel
 Contact resistance: 30 milliohms max.
 Insulation resistance: 500 megohms min.
 Housing material: Glass-filled Nylon46, UL94V-0, white
 Withstanding: 500VAC rms for 1 min.
 Operating temperature: -55°C to +85°C



Series	Pitch	Type	Contacts	Style	Plating	Options
CFPC	100	S124	XX	RUB	XX	XX
FPC connector	100=1.00mm 030=0.30mm 050=0.50mm 125=1.25mm	S124 type	4-24 (See table, p. 2)	R=Right angle V=Vertical U=Upper contacts B=Bottom contacts	TN=Tin over nickel GD1=Gold 1μ" over nickel GD3=Gold 3μ" over nickel	[blank]=None TR=Tape & reel TB=Tube

RoHS compliant

Rev.	Description	Date	Approved	Drawing	Name	Date
				Approved	Howard	11/16/04
				Checked	Lizzy	11/16/04
				Drawn	Tina	11/16/04
				0.0 ± 0.35	0.00 ± 0.20	Angles ± 3'
				UNIT: mm		

Central Components Manufacturing
 440 Lincoln Blvd., Middlesex, New Jersey 08846
 Phone 732 469-5720 888 288-5152 Fax 732 469-1919

Part No.: **CFPC-100-S124-XX-RUB-XX-XX**

Description: FPC connector, 1.00mm pitch, LIF type, right angle SMT, upper and lower contact type

A

B

C

D

E

F

G

A

B

C

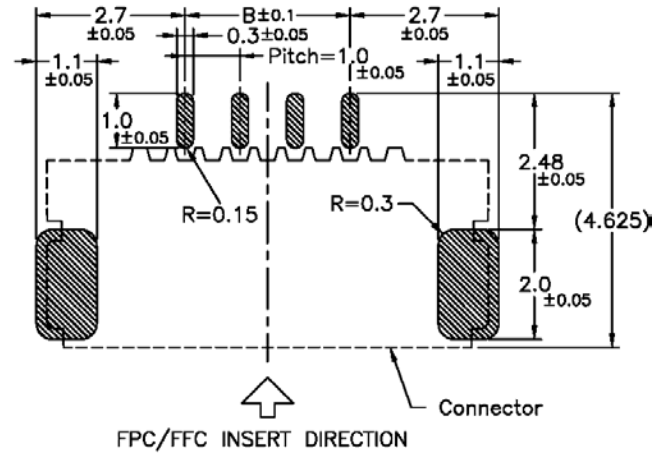
D

E

F

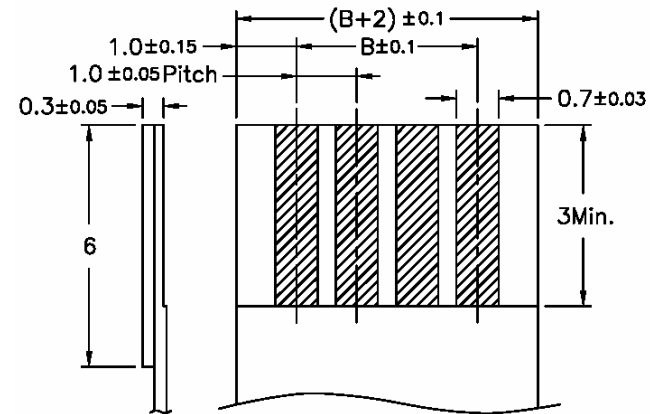
G

PCB Layout



Dimensions							
Pos.	A	B	C	Pos.	A	B	C
4	8.03	4.0	5.1	15	19.03	15.0	16.1
5	9.03	5.0	6.1	16	20.03	16.0	17.1
6	10.03	6.0	7.1	17	21.03	17.0	18.1
7	11.03	7.0	8.1	18	22.03	18.0	19.1
8	12.03	8.0	9.1	19	23.03	19.0	20.1
9	13.03	9.0	10.1	20	24.03	20.0	21.1
10	14.03	10.0	11.1	21	25.03	21.0	22.1
11	15.03	11.0	12.1	22	26.03	22.0	23.1
12	16.03	12.0	13.1	23	27.03	23.0	24.1
13	17.03	13.0	14.1	24	28.03	24.0	25.1
14	18.03	14.0	15.1				

Applicable FPC



RoHS compliant

Rev.	Description	Date	Approved	Drawing	Name	Date
				Approved	Howard	11/16/04
				Checked	Lizzy	11/16/04
				Drawn	Tina	11/16/04
				0.0 ± 0.35	0.00 ± 0.20	Angles ± 3'
				UNIT: mm		

Central Components Manufacturing
 440 Lincoln Blvd., Middlesex, New Jersey 08846
 Phone 732 469-5720 888 288-5152 Fax 732 469-1919

Part No.: **CFPC-100-S124-XX-RUB-XX-XX**

Description: FPC connector, 1.00mm pitch, LIF type, right angle SMT, upper and lower contact type