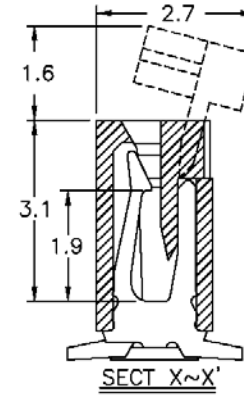
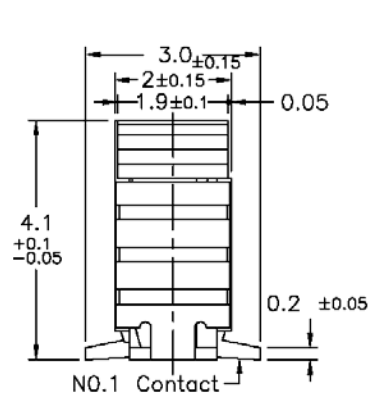
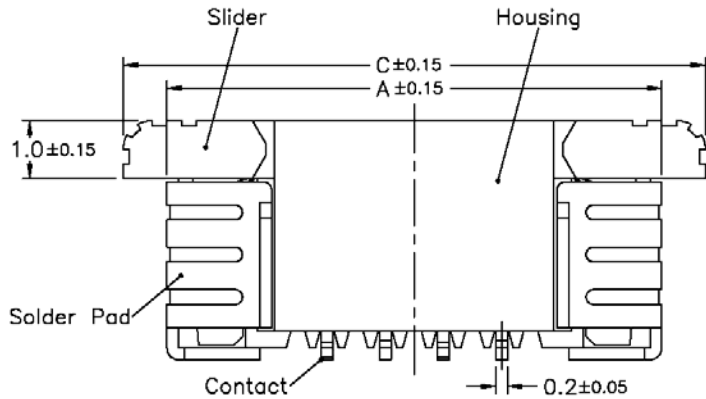


SPECIFICATIONS

Operating voltage: 50 volts
 Current rating: 0.5 amps
 Contact material: Copper alloy
 Contact plating: Tin or gold over nickel
 Contact resistance: 30 milliohms max.
 Insulation resistance: 500 megohms min.
 Housing material: Glass-filled Nylon 46, UL94V-0
 Withstanding: 500VAC rms for 1 min.
 Operating temperature: -55°C to +85°C



Series	Pitch	Type	Contacts	Style	Plating	Options
CFPC	100	S113A	XX	V	XX	XX
FPC connector	100=1.00mm 030=0.30mm 050=0.50mm 125=1.25mm	S113A type	4-24 (See table, p. 2)	R=Right angle V=Vertical U=Upper contacts B=Bottom contacts	TN=Tin over nickel GD1=Gold 1μ" over nickel GD3=Gold 3μ" over nickel	[blank]=None TR=Tape & reel TB=Tube

RoHS compliant

Rev.	Description	Date	Approved	Drawing	Name	Date
				Approved	Howard	05/26/04
				Checked	Lizzy	05/26/04
				Drawn	Tina	05/26/04
				0.0 ± 0.35	0.00 ± 0.20	Angles ± 3'
				UNIT: mm		

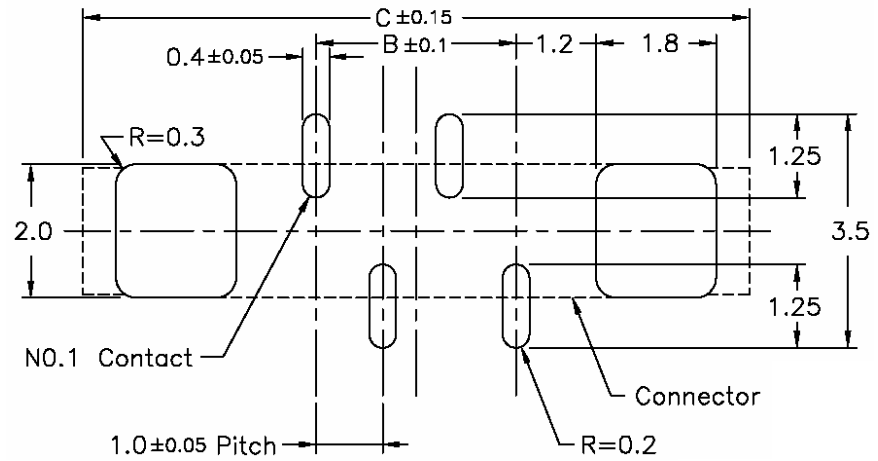
Central Components Manufacturing
 440 Lincoln Blvd., Middlesex, New Jersey 08846
 Phone 732 469-5720 888 288-5152 Fax 732 469-1919

Part No.: **CFPC-100-S113A-XX-V-XX-XX**

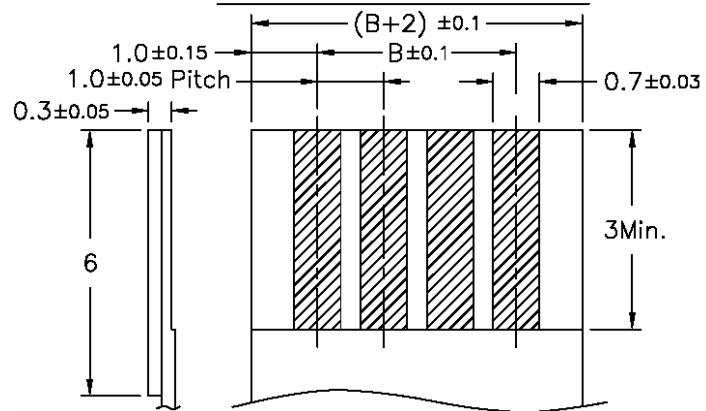
Description: FPC connector, 1.00mm pitch, ZIF type, straight SMT, reversed position

PCB Layout

Dimensions									
Pos.	A	B	C	D	Pos.	A	B	C	D
4	8.5	3	10	5.1	15	29.5	14	21	16.1
5	9.5	4	11	6.1	16	20.5	15	22	17.1
6	10.5	5	12	7.1	17	21.5	16	23	18.1
7	11.5	6	13	8.1	18	22.5	17	24	19.1
8	12.5	7	14	9.1	19	23.5	18	25	20.1
9	13.5	8	15	10.1	20	24.5	19	26	21.1
10	14.5	9	16	11.1	21	25.5	20	27	22.1
11	15.5	10	17	12.1	22	26.5	21	28	23.1
12	16.5	11	18	13.1	23	27.5	22	29	24.1
13	17.5	12	19	14.1	24	28.5	23	30	25.1
14	18.5	13	20	15.1					



Applicable FPC



RoHS compliant

Rev.	Description	Date	Approved	Drawing	Name	Date
				Approved	Howard	05/26/04
				Checked	Lizzy	05/26/04
				Drawn	Tina	05/26/04
				0.0 ± 0.35	0.00 ± 0.20	Angles ± 3'
				UNIT: mm		

Central Components Manufacturing
 440 Lincoln Blvd., Middlesex, New Jersey 08846
 Phone 732 469-5720 888 288-5152 Fax 732 469-1919

Part No.: **CFPC-100-S113A-XX-V-XX-XX**

Description: FPC connector, 1.00mm pitch, ZIF type, straight SMT, reversed position