

SPECIFICATIONS

Operating voltage:	50 volts
Current rating:	0.4 amps
Contact material:	Copper alloy
Contact plating:	Tin or gold over nickel
Solder pad material:	Copper alloy
Solder pad plating:	Tin over nickel
Housing material:	Thermoplastic
Slider material:	Thermoplastic
Operating temperature:	-55°C to +85°C

RoHS compliant

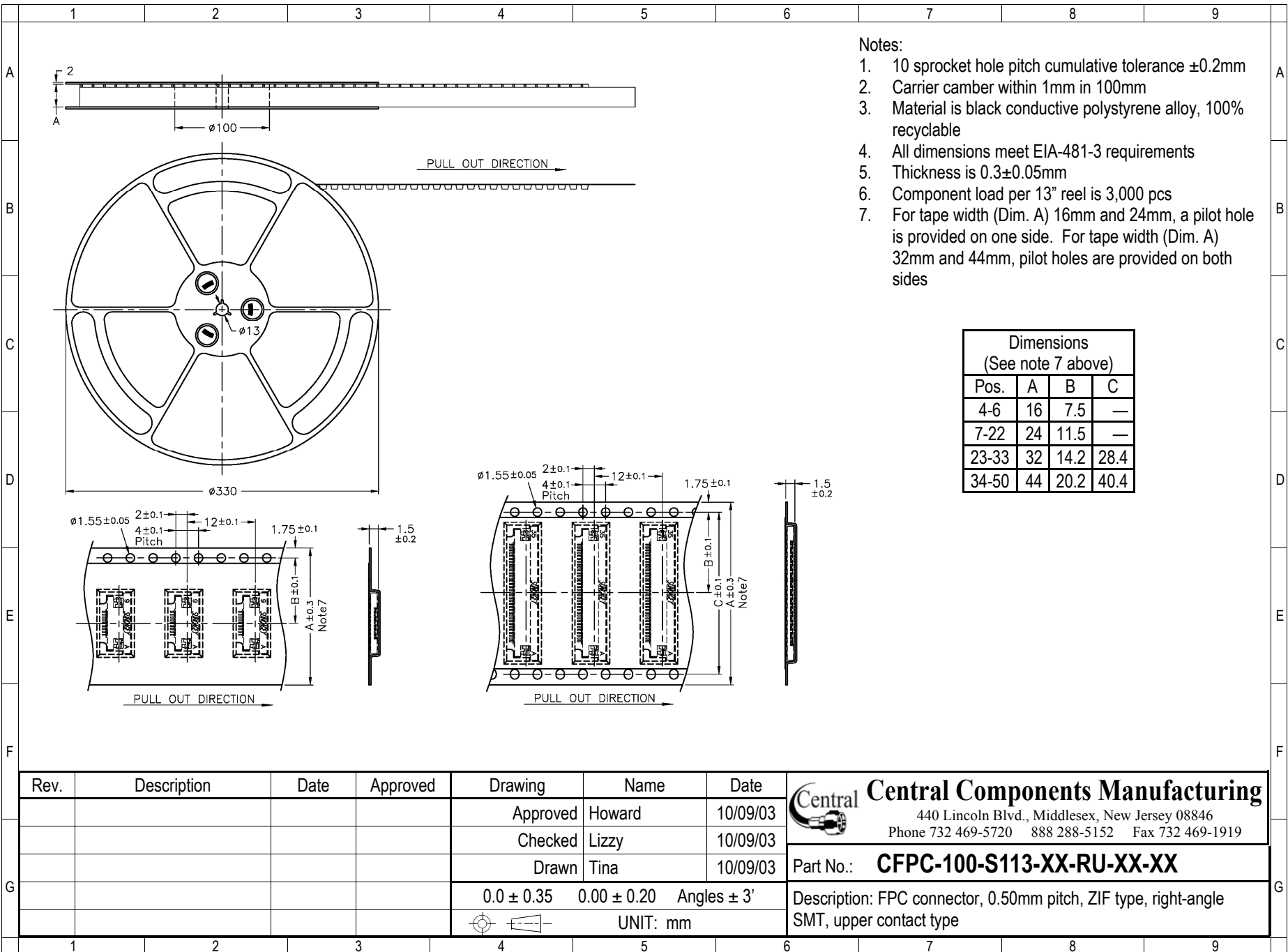
Series	Pitch	Type	Contacts	Style	Plating	Options
CFPC	XXX	S113	XX	X - X	XX	XX
FPC connector	050=0.50mm 030=0.30mm 100=1.00mm 125=1.25mm	S113 ZIF type	4-50 (See table, p. 2)	R=Right angle V=Vertical U=Upper contacts B=Bottom contacts	TN=Tin over nickel GD1=Gold 1μ" over nickel GD3=Gold 3μ" over nickel	[blank]=None TR=Tape & reel TB=Tube

Rev.	Description	Date	Approved	Drawing	Name	Date
				Approved	Howard	10/09/03
				Checked	Lizzy	10/09/03
				Drawn	Tina	10/09/03
				0.0 ± 0.35	0.00 ± 0.20	Angles ± 3'
				UNIT: mm		


Central Components Manufacturing
 440 Lincoln Blvd., Middlesex, New Jersey 08846
 Phone 732 469-5720 888 288-5152 Fax 732 469-1919

Part No.: **CFPC-100-S113-XX-RU-XX-XX**

Description: FPC connector, 0.50mm pitch, ZIF type, right-angle SMT, upper contact type



Rev.	Description	Date	Approved	Drawing	Name	Date
				Approved	Howard	10/09/03
				Checked	Lizzy	10/09/03
				Drawn	Tina	10/09/03
				0.0 ± 0.35	0.00 ± 0.20	Angles $\pm 3'$
				 UNIT: mm		

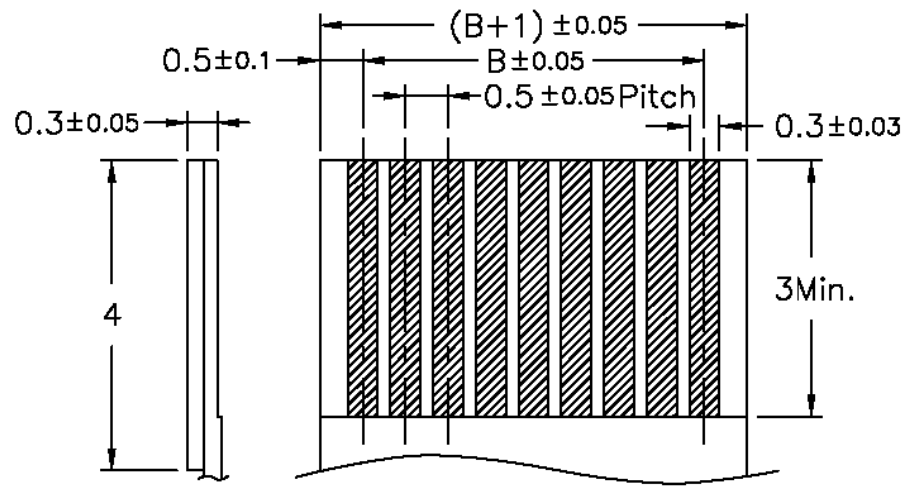

Central Components Manufacturing
 440 Lincoln Blvd., Middlesex, New Jersey 08846
 Phone 732 469-5720 888 288-5152 Fax 732 469-1919

Part No.: **CFPC-100-S113-XX-RU-XX-XX**


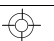
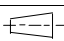
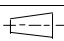
Description: FPC connector, 0.50mm pitch, ZIF type, right-angle SMT, upper contact type

Dimensions									
Pos.	A	B	C	D	Pos.	A	B	C	D
4	6.75	1.5	8.0	2.6	28	18.75	13.5	20.0	14.6
5	7.25	2.0	8.5	3.1	29	19.25	14.0	20.5	15.1
6	7.75	2.5	9.0	3.6	30	19.75	14.5	21.0	15.6
7	8.25	3.0	9.5	4.1	31	20.25	15.0	21.5	16.1
8	8.75	3.5	10.0	4.6	32	20.75	15.5	22.0	16.6
9	9.25	4.0	10.5	5.1	33	21.25	16.0	22.5	17.1
10	9.75	4.5	11.0	5.6	34	21.75	16.5	23.0	17.6
11	10.25	5.0	11.5	6.1	35	22.25	17.0	23.5	18.1
12	10.75	5.5	12.0	6.6	36	22.75	17.5	24.0	18.6
13	11.25	6.0	12.5	7.1	37	23.25	18.0	24.5	19.1
14	11.75	6.5	13.0	7.6	38	23.75	18.5	25.0	19.6
15	12.25	7.0	13.5	8.1	39	24.25	19.0	25.5	20.1
16	12.75	7.5	14.0	8.6	40	24.75	19.5	26.0	20.6
17	13.25	8.0	14.5	9.1	41	25.25	20.0	26.5	21.1
18	13.75	8.5	15.0	9.6	42	25.75	20.5	27.0	21.6
19	14.25	9.0	15.5	10.1	43	26.25	21.0	27.5	22.1
20	14.75	9.5	16.0	10.6	44	26.75	21.5	28.0	22.6
21	15.25	10.0	16.5	11.1	45	27.25	22.0	28.5	23.1
22	15.75	10.5	17.0	11.6	46	27.75	22.5	29.0	23.6
23	16.25	11.0	17.5	12.1	47	28.25	23.0	29.5	24.1
24	16.75	11.5	18.0	12.6	48	28.75	23.5	30.0	24.6
25	17.25	12.0	18.5	13.1	49	29.25	24.0	30.5	25.1
26	17.75	12.5	19.0	13.6	50	29.75	24.5	31.0	25.6
27	18.25	13.0	19.5	14.1					

Applicable FPC



RoHS compliant

Rev.	Description	Date	Approved	Drawing	Name	Date	 Central Components Manufacturing 440 Lincoln Blvd., Middlesex, New Jersey 08846 Phone 732 469-5720 888 288-5152 Fax 732 469-1919
				Approved	Howard	10/09/03	
				Checked	Lizzy	10/09/03	
				Drawn	Tina	10/09/03	
				0.0 ± 0.35 0.00 ± 0.20 Angles $\pm 3'$			Part No.: CFPC-100-S113-XX-RU-XX-XX
				 			Description: FPC connector, 0.50mm pitch, ZIF type, right-angle SMT, upper contact type
							
				UNIT: mm			