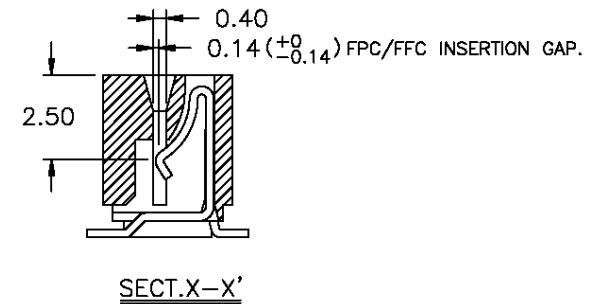
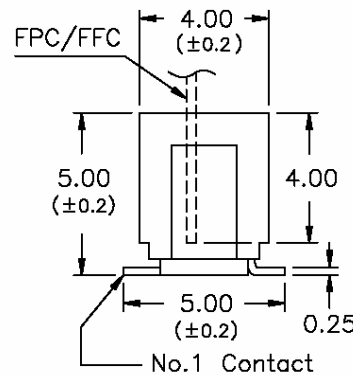
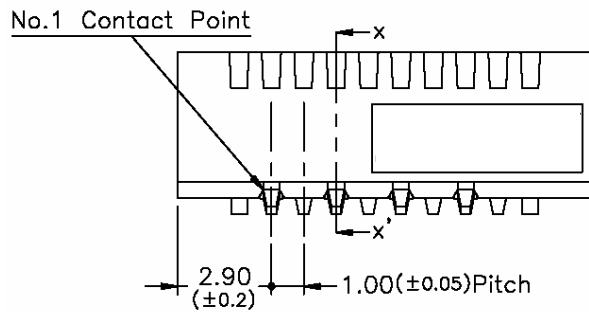


SPECIFICATIONS

- Operating voltage: 50 volts
- Current rating: 0.5 amps
- Contact material: Copper alloy
- Contact plating: Tin or gold over nickel
- Contact resistance: 30 milliohms max.
- Insulation resistance: 500 megohms min.
- Housing material: Glass-filled Nylon 46, UL94V-0
- Withstanding: 500VAC rms for 1 min.
- Operating temperature: -55°C to $+85^{\circ}\text{C}$



Series	Pitch	Type	Contacts	Style	Plating	Options
CFPC	100	S109T	XX	V	XX	XX
FPC connector	100=1.00mm 030=0.30mm 050=0.50mm 125=1.25mm	S109T type	4-32 (See table, p. 2)	R=Right angle V=Vertical U=Upper contacts B=Bottom contacts	TN=Tin over nickel GD1=Gold 1μ " over nickel GD3=Gold 3μ " over nickel	[blank]=None TR=Tape & reel TB=Tube

RoHS compliant

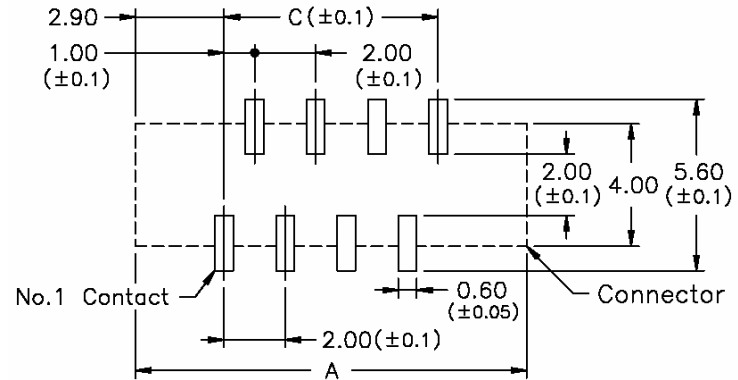
Rev.	Description	Date	Approved	Drawing	Name	Date
				Approved	Howard	05/30/01
				Checked	Lizzy	05/30/01
				Drawn	Tina	05/30/01
				0.0 ± 0.35	0.00 ± 0.20	Angles $\pm 3'$
				UNIT: mm		

Central Components Manufacturing
 440 Lincoln Blvd., Middlesex, New Jersey 08846
 Phone 732 469-5720 888 288-5152 Fax 732 469-1919

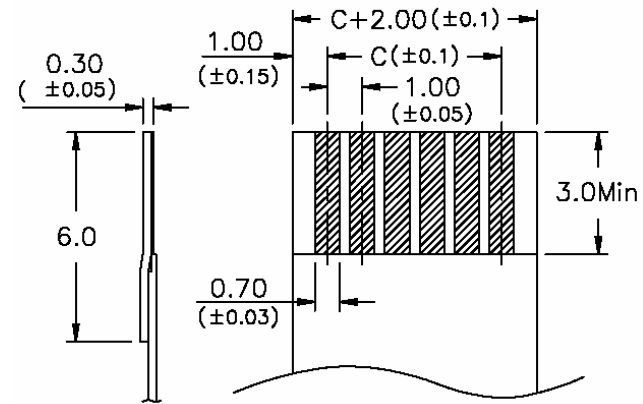
Part No.: **CFPC-100-S109T-XX-V-XX-XX**

Description: FPC connector, 1.00mm pitch, LIF type, straight SMT

PCB Layout



Applicable FPC



Dimensions							
Pos.	A	B	C	Pos.	A	B	C
4	8.80	5.20	3.00	19	23.80	20.20	18.00
5	9.80	6.20	4.00	20	24.80	21.20	19.00
6	0.80	7.20	5.00	21	25.80	22.20	20.00
7	11.80	8.20	6.00	22	26.80	23.20	21.00
8	12.80	9.20	7.00	23	27.80	24.20	22.00
9	13.80	10.20	8.00	24	28.80	25.20	23.00
10	14.80	11.20	9.00	25	29.80	26.20	24.00
11	15.80	12.20	10.00	26	30.80	27.20	25.00
12	16.80	13.20	11.00	27	31.80	28.20	26.00
13	17.80	14.20	12.00	28	32.80	29.20	27.00
14	18.80	15.20	13.00	29	33.80	30.20	28.00
15	19.80	16.20	14.00	30	34.80	31.20	29.00
16	20.80	17.20	15.00	31	35.80	32.20	30.00
17	21.80	18.20	16.00	32	36.80	33.20	31.00
18	22.80	19.20	17.00				

RoHS compliant

Rev.	Description	Date	Approved	Drawing	Name	Date
				Approved	Howard	05/30/01
				Checked	Lizzy	05/30/01
				Drawn	Tina	05/30/01
				0.0 ± 0.35	0.00 ± 0.20	Angles ± 3'
						UNIT: mm

Central Components Manufacturing
 440 Lincoln Blvd., Middlesex, New Jersey 08846
 Phone 732 469-5720 888 288-5152 Fax 732 469-1919

Part No.: **CFPC-100-S109T-XX-V-XX-XX**

Description: FPC connector, 1.00mm pitch, LIF type, straight SMT