


SPECIFICATIONS

- Operating voltage: 30 volts
- Current rating: 0.2 amps
- Contact material: Phosphor bronze
- Contact plating: Tin or gold over nickel
- Stopper material: Phosphor bronze
- Stopper plating: Tin over nickel
- Housing material: LCP, UL94V-0
- Actuator material: LCP, UL94V-0

RoHS compliant

Series	Pitch	Type	Contacts	Style	Plating	Options
CFPC	030	S125	XX	RB	XX	XX
FPC connector	030=0.30mm 125=1.25mm 100=1.00mm 050=0.50mm	S125 type	13-71 (See table, p. 2)	R=Right angle V=Vertical U=Upper contacts B=Bottom contacts	TN=Tin over nickel GD3=Gold 3μ" over nickel	[blank]=None TR=Tape & reel TB=Tube

Rev.	Description	Date	Approved	Drawing	Name	Date
				Approved	Howard	12/10/05
				Checked	Lizzy	12/10/05
				Drawn	Tina	12/10/05
				0.0 ± 0.35	0.00 ± 0.20	Angles ± 3'
				UNIT: mm		

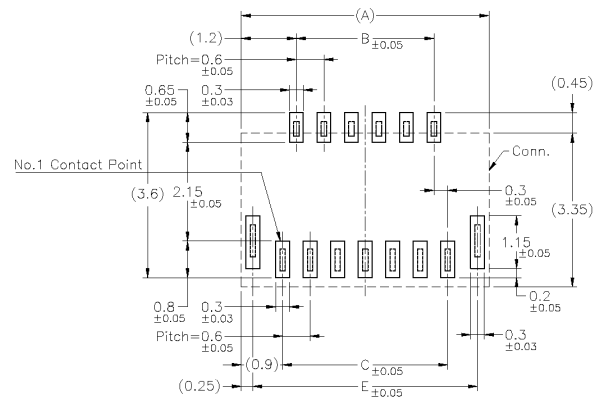


Central Components Manufacturing
440 Lincoln Blvd., Middlesex, New Jersey 08846
Phone 732 469-5720 888 288-5152 Fax 732 469-1919

Part No.: **CFPC-030-S125-XX-RB-XX-XX**

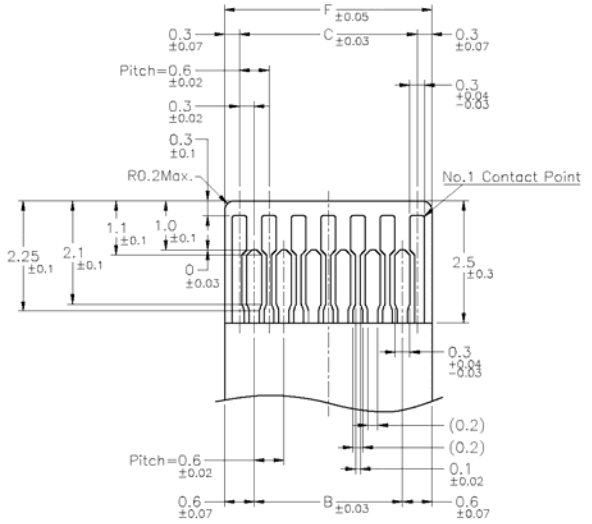
Description: FPC connector, 0.3mm pitch, ZIF type, right-angle SMT, lower contact type

RoHS compliant

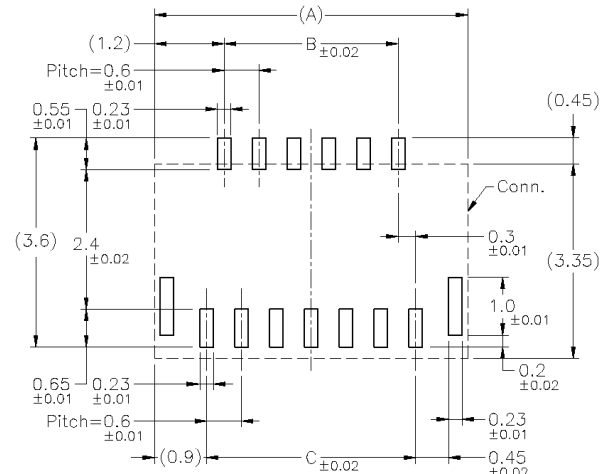


FPC/FFC INSERT DIRECTION

PCB Layout



Applicable FPC



Recommended metal mask pattern

Dimensions													
Pos.	A	B	C	D	E	F	Pos.	A	B	C	D	E	F
13	5.4	3.0	3.6	4.23	4.9	4.2	33	11.4	9.0	9.6	10.23	10.9	10.2
15	6.0	3.6	4.2	4.83	5.5	4.8	35	12.0	9.6	10.2	10.83	11.5	10.8
17	6.6	4.2	4.8	5.43	6.1	5.4	37	12.6	10.2	10.8	11.43	12.1	11.4
19	7.2	4.8	5.4	6.03	6.7	6.0	39	13.2	10.8	11.4	12.03	12.7	12.0
21	7.8	5.4	6.0	6.63	7.3	6.6	41	13.8	11.4	12.0	12.63	13.3	12.6
23	8.4	6.0	6.6	7.23	7.9	7.2	45	15.0	12.6	13.2	13.83	14.5	13.8
25	9.0	6.6	7.2	7.83	8.5	7.8	49	16.2	13.8	14.4	15.03	15.7	15.0
27	9.6	7.2	7.8	8.43	9.1	8.4	51	16.8	14.4	15.0	15.63	16.3	15.6
29	10.2	7.8	8.4	9.03	9.7	9.0	57	18.6	16.2	16.8	17.43	18.1	17.4
31	10.8	8.4	9.0	9.63	10.3	9.6	71	22.8	20.4	21.0	21.63	22.3	21.6

Rev.	Description	Date	Approved	Drawing	Name	Date
				Approved	Howard	12/10/05
				Checked	Lizzy	12/10/05
				Drawn	Tina	12/10/05
				0.0 ± 0.35	0.00 ± 0.20	Angles ± 3'
				UNIT: mm		

Central Components Manufacturing
 440 Lincoln Blvd., Middlesex, New Jersey 08846
 Phone 732 469-5720 888 288-5152 Fax 732 469-1919

Part No.: **CFPC-030-S125-XX-RB-XX-XX**

Description: FPC connector, 0.3mm pitch, ZIF type, right-angle SMT, lower contact type

