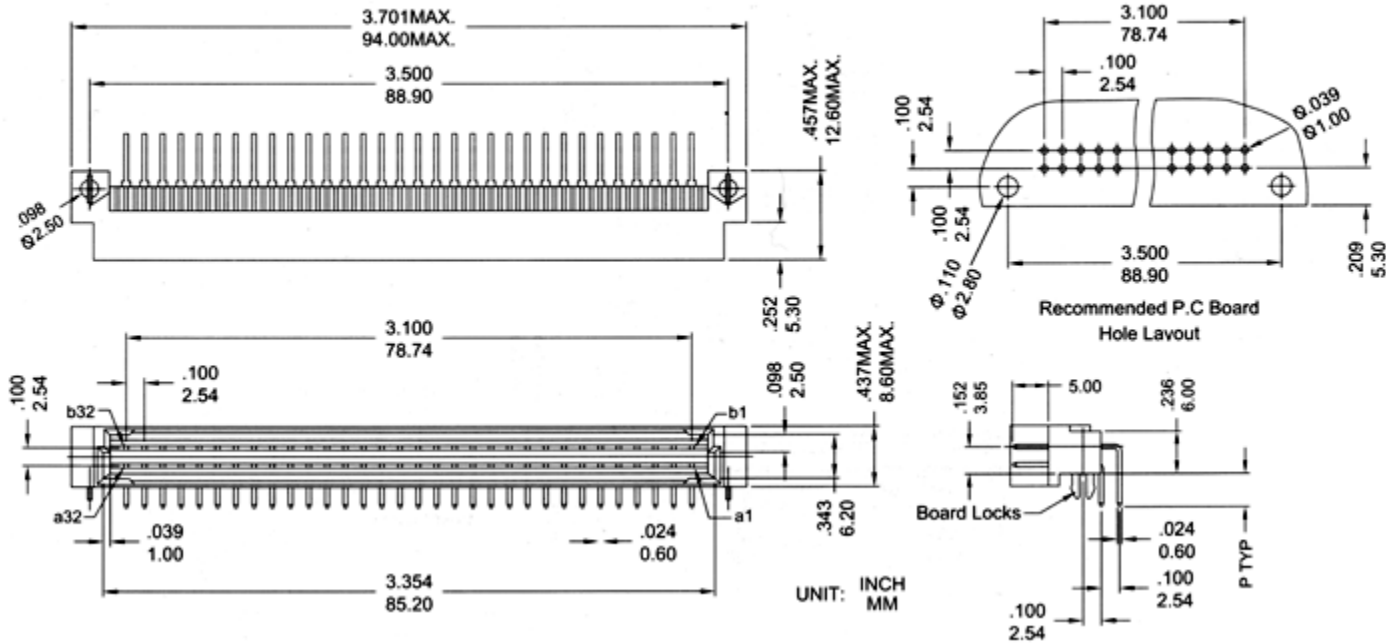


CED, B type male

Current rating: 2 amps
 Contact material: Brass
 Contact resistance: 30 milliohms max. at 100 milliamps DC
 Housing material: PBT, 30% glass filled, UL94V-0
 Insulation resistance: 1,000 megohms min. at 500VDC
 Withstanding: 1,000VAC for 1 min.
 Operating temperature: -55°C to +105°C



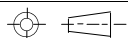
Series	Gender	Mounting	Contacts	Pin Length	Pitch	Loaded Rows	Plating	Type	Options
CED	X	X	XX	XX	XX	XX	XX	BX	XX
Euro DIN 41612 Connector	1=Male 2=Female	A=Straight B=Right Angle	08, 10, 16, 20, 32, 64	A1(M)=2.9mm (male only) A1(F)=4.0mm (female only) A2=2.5mm A1(XX)=Custom Length	B1=.100" (2.54mm) B2=.200" (5.08mm)	1=A (row A loaded) 2=B (row B loaded) 4=A&B (rows A&B loaded)	SG1=30u" SG2=15u" SG3=10u"	B=B Type B2=B2 Type, 1/2 size B3=B3 Type, 1/3 size	[blank]=none PF=Press Fit (straight only) BL=Board Locks

Rev.	Description	Date	Approved	Drawing	Name	Date
				Approved	Howard	09/10/15
				Checked	Lizzy	09/10/15
				Drawn	Tina	09/10/15
				0.0 ± 0.35	0.00 ± 0.20	Angles ± 3'
				UNIT: mm		

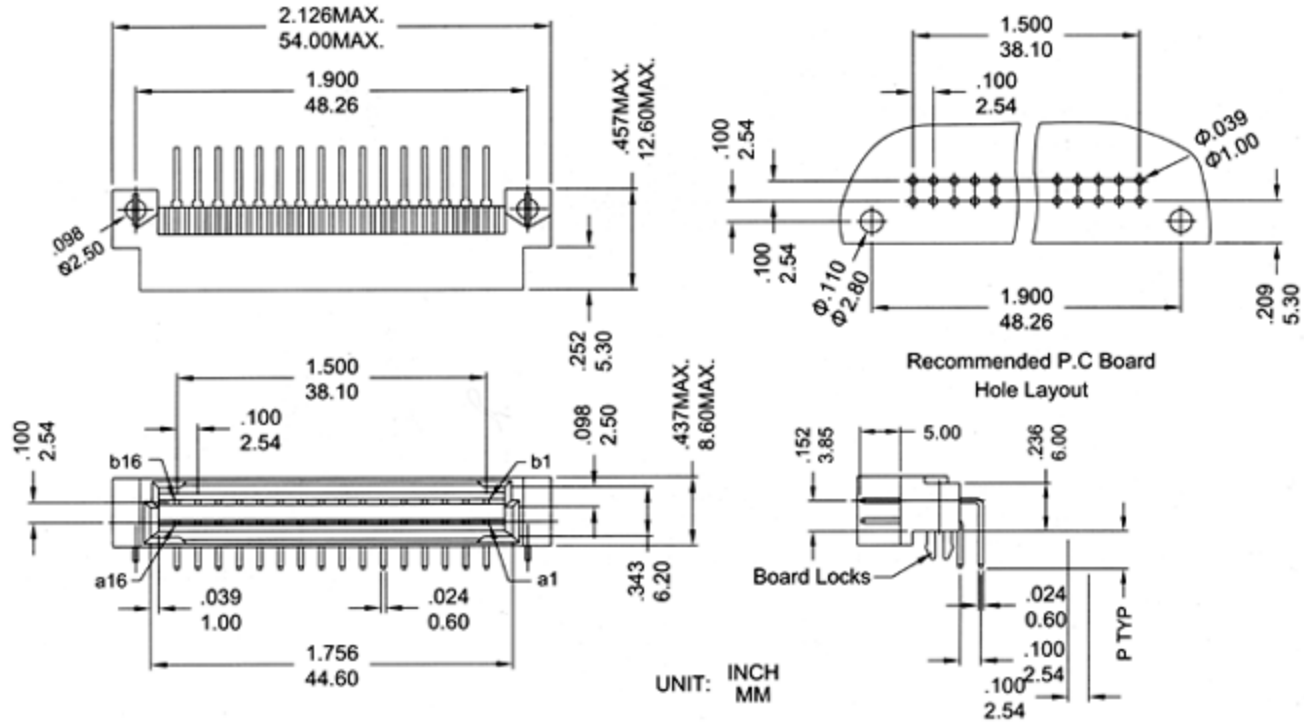
Central Components Manufacturing
 440 Lincoln Blvd., Middlesex, New Jersey 08846
 Phone 732 469-5720 888 288-5152 Fax 732 469-1919

Part No.: **CED-X-X-XX-XX-XX-XX-XX-BX-XX**

Description: Euro DIN 41612 Connector, B Type



CED, B2 type male



Rev.	Description	Date	Approved	Drawing	Name	Date
				Approved	Howard	09/10/15
				Checked	Lizzy	09/10/15
				Drawn	Tina	09/10/15
				0.0 ± 0.35	0.00 ± 0.20	Angles ± 3'
				UNIT: mm		

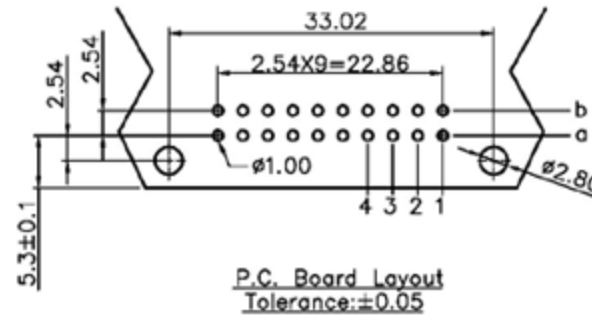
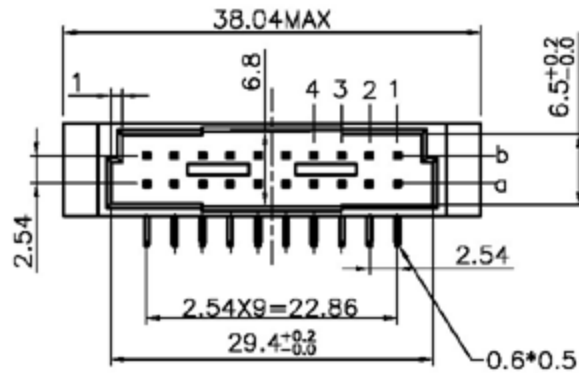
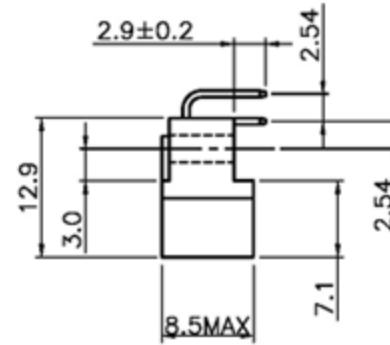
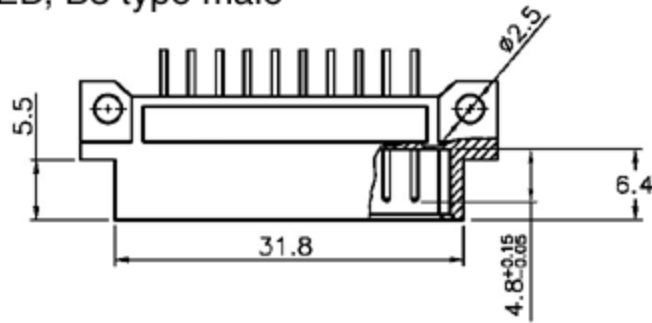
Central Components Manufacturing
 440 Lincoln Blvd., Middlesex, New Jersey 08846
 Phone 732 469-5720 888 288-5152 Fax 732 469-1919

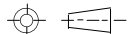
Part No.: **CED-X-X-XX-XX-XX-XX-XX-BX-XX**


Description: Euro DIN 41612 Connector, B Type

	1	2	3	4	5	6	7	8	9
A	<div data-bbox="401 285 730 332" data-label="Section-Header"> <p>CED, B2 type male</p> </div> <div data-bbox="436 342 1732 1060" data-label="Figure"> <p>Technical drawings of the CED, B2 type male connector. The drawings include:</p> <ul style="list-style-type: none"> Top View (Left): Shows the connector's profile with dimensions: 2.126MAX. (54.00MAX.) for the total length, 1.900 (48.26) for the main body length, and .457MAX. (12.60MAX.) for the tail length. A hole diameter of .098 (Ø2.50) is indicated. Top View (Right): Shows the recommended P.C. board hole layout with dimensions: 1.500 (38.10) for the main body width, .100 (2.54) for the hole offset, and .039 (Ø1.00) for the hole diameter. A tail diameter of Ø2.80 is also shown. Side View (Left): Shows the connector's profile with dimensions: 1.500 (38.10) for the main body length, .100 (2.54) for the hole offset, .098 (2.50) for the hole diameter, .437MAX. (8.60MAX.) for the tail length, .252 (5.30) for the tail diameter, .039 (1.00) for the tail hole diameter, .024 (0.60) for the tail hole offset, and .343 (6.20) for the tail hole diameter. Side View (Right): Shows the connector's profile with dimensions: 5.00 (127.00) for the main body length, .152 (3.85) for the hole offset, 2.36 (60.00) for the tail length, .024 (0.60) for the tail hole diameter, .100 (2.54) for the tail hole offset, and .100 (2.54) for the tail hole diameter. <p>UNIT: INCH MM</p> </div>								
B									
C									
D									
E									
F									
G									
	1	2	3	4	5	6	7	8	9

CED, B3 type male



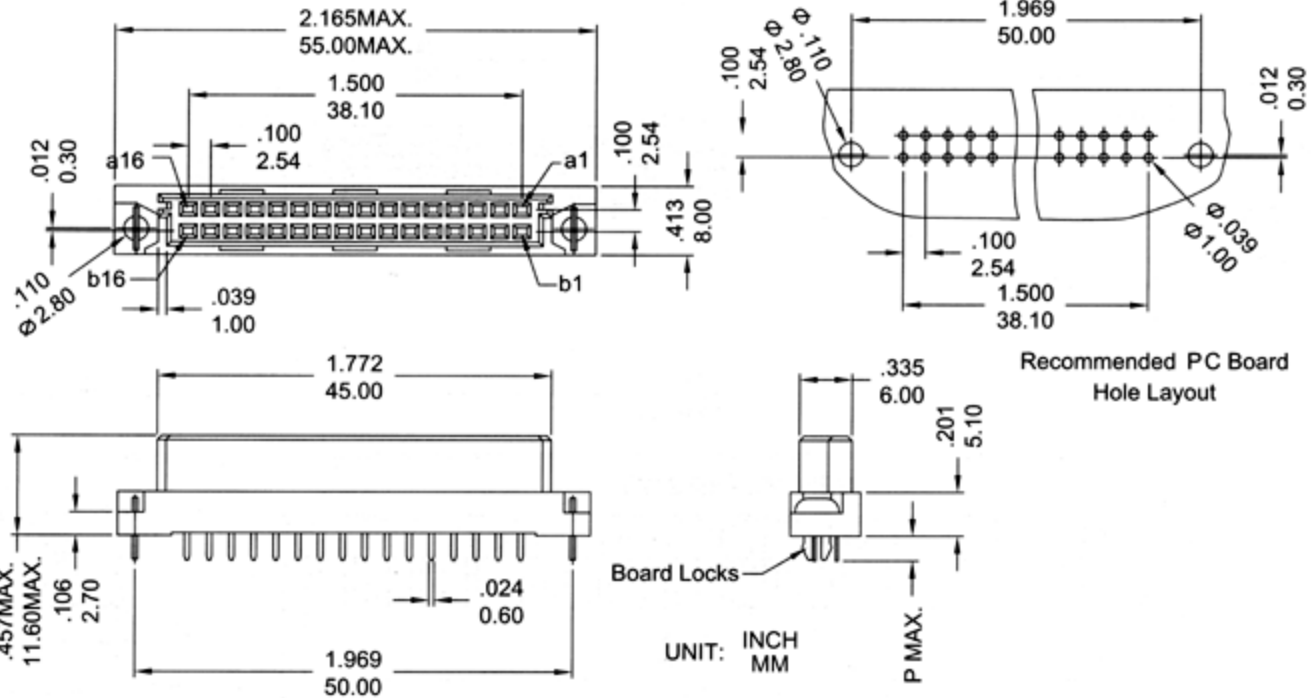
Rev.	Description	Date	Approved	Drawing	Name	Date
				Approved	Howard	09/10/15
				Checked	Lizzy	09/10/15
				Drawn	Tina	09/10/15
				0.0 ± 0.35	0.00 ± 0.20	Angles ± 3'
				 UNIT: mm		


Central Components Manufacturing
 440 Lincoln Blvd., Middlesex, New Jersey 08846
 Phone 732 469-5720 888 288-5152 Fax 732 469-1919

Part No.: **CED-X-X-XX-XX-XX-XX-XX-BX-XX**

Description: Euro DIN 41612 Connector, B Type

CED, B type female



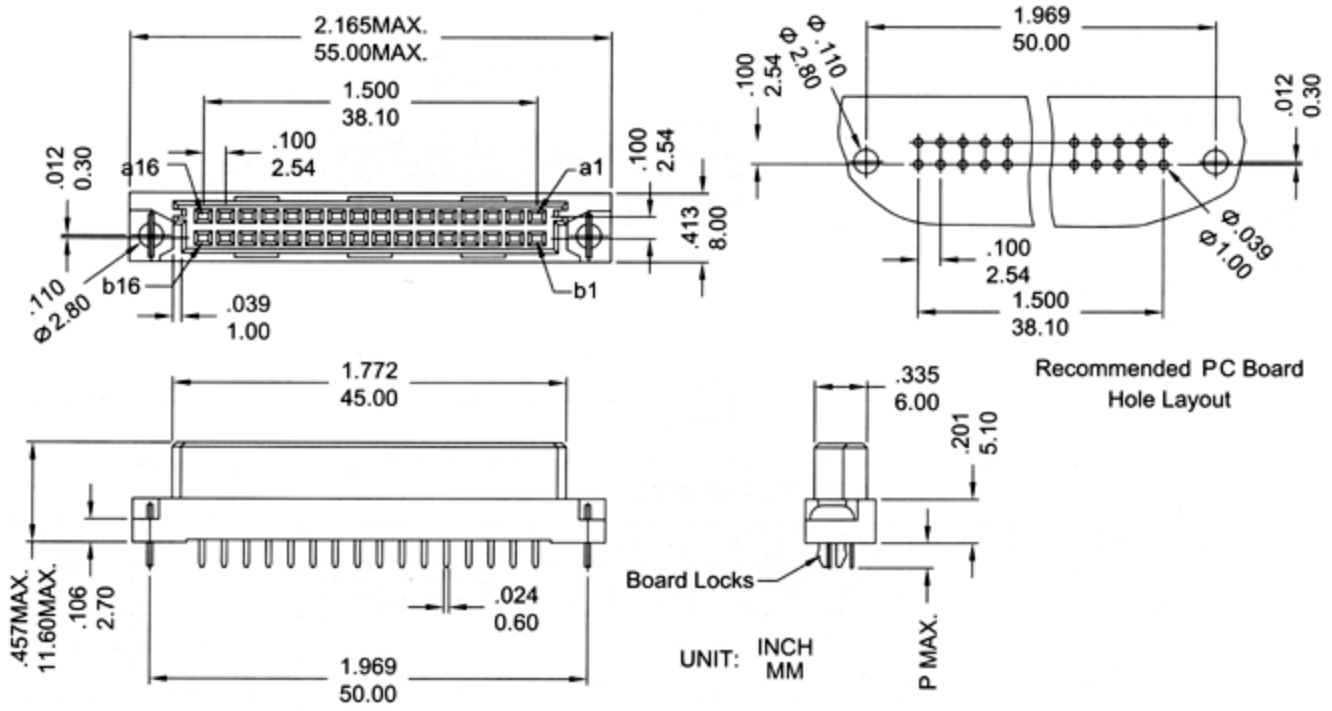
Rev.	Description	Date	Approved	Drawing	Name	Date
				Approved	Howard	09/10/15
				Checked	Lizzy	09/10/15
				Drawn	Tina	09/10/15
				0.0 ± 0.35	0.00 ± 0.20	Angles ± 3'
				UNIT: mm		

Central Components Manufacturing
 440 Lincoln Blvd., Middlesex, New Jersey 08846
 Phone 732 469-5720 888 288-5152 Fax 732 469-1919

Part No.: **CED-X-X-XX-XX-XX-XX-XX-BX-XX**

Description: Euro DIN 41612 Connector, B Type

CED, B2 type female



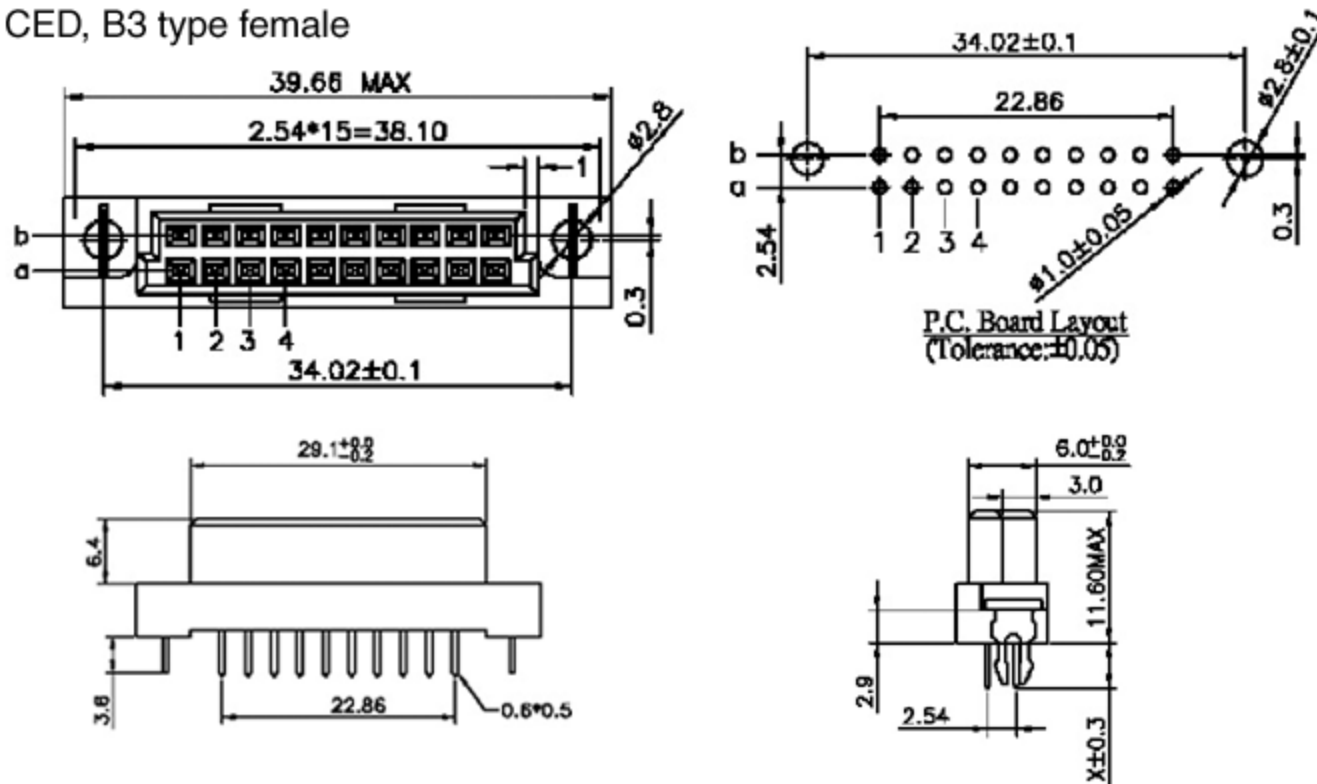
Rev.	Description	Date	Approved	Drawing	Name	Date
				Approved	Howard	09/10/15
				Checked	Lizzy	09/10/15
				Drawn	Tina	09/10/15
				0.0 ± 0.35	0.00 ± 0.20	Angles ± 3'
				UNIT: mm		

Central Components Manufacturing
 440 Lincoln Blvd., Middlesex, New Jersey 08846
 Phone 732 469-5720 888 288-5152 Fax 732 469-1919

Part No.: **CED-X-X-XX-XX-XX-XX-XX-BX-XX**

Description: Euro DIN 41612 Connector, B Type

CED, B3 type female



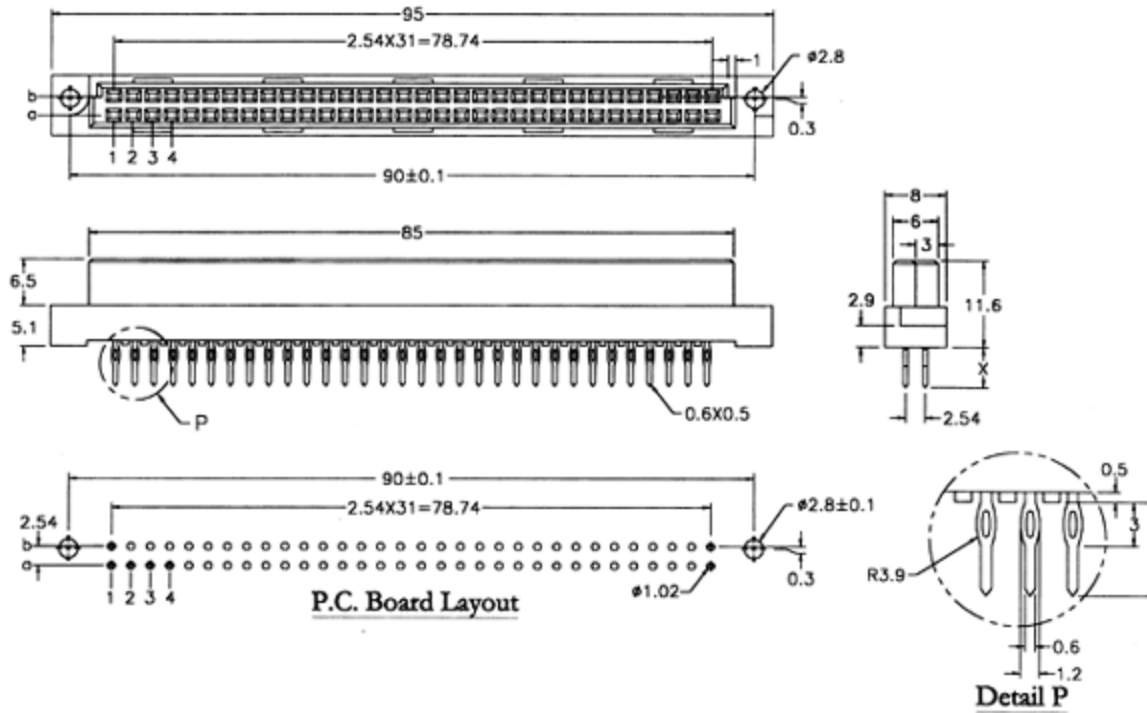
Rev.	Description	Date	Approved	Drawing	Name	Date
				Approved	Howard	09/10/15
				Checked	Lizzy	09/10/15
				Drawn	Tina	09/10/15
				0.0 ± 0.35	0.00 ± 0.20	Angles ± 3'
				UNIT: mm		

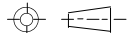
Central Components Manufacturing
 440 Lincoln Blvd., Middlesex, New Jersey 08846
 Phone 732 469-5720 888 288-5152 Fax 732 469-1919


Part No.: **CED-X-X-XX-XX-XX-XX-XX-BX-XX**

Description: Euro DIN 41612 Connector, B Type

CED, B type female, pressfit, 2 rows



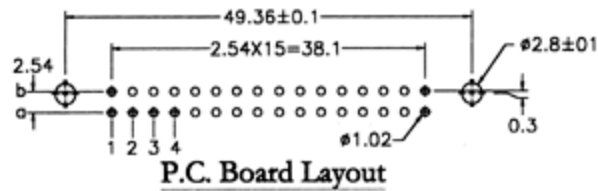
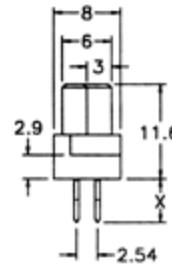
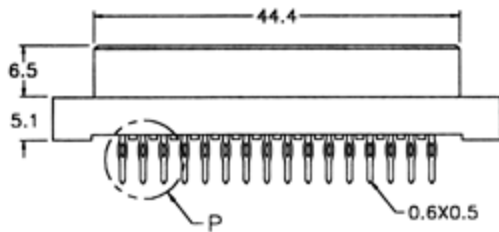
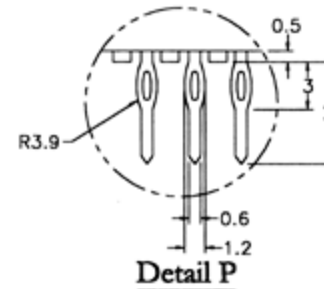
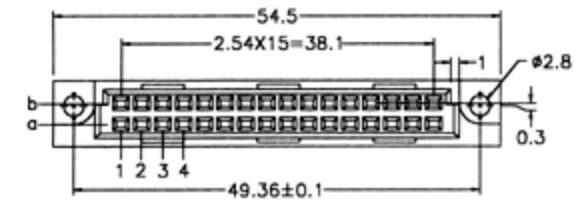
Rev.	Description	Date	Approved	Drawing	Name	Date
				Approved	Howard	09/10/15
				Checked	Lizzy	09/10/15
				Drawn	Tina	09/10/15
				0.0 ± 0.35	0.00 ± 0.20	Angles ± 3'
				 UNIT: mm		


Central Components Manufacturing
 440 Lincoln Blvd., Middlesex, New Jersey 08846
 Phone 732 469-5720 888 288-5152 Fax 732 469-1919

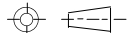
Part No.: **CED-X-X-XX-XX-XX-XX-XX-BX-XX**


Description: Euro DIN 41612 Connector, B Type

CED, B2 type female, pressfit, 2 rows



P.C. Board Layout

Rev.	Description	Date	Approved	Drawing	Name	Date
				Approved	Howard	09/10/15
				Checked	Lizzy	09/10/15
				Drawn	Tina	09/10/15
				0.0 ± 0.35	0.00 ± 0.20	Angles ± 3'
				 UNIT: mm		


Central Components Manufacturing
 440 Lincoln Blvd., Middlesex, New Jersey 08846
 Phone 732 469-5720 888 288-5152 Fax 732 469-1919

Part No.: **CED-X-X-XX-XX-XX-XX-XX-BX-XX**

Description: Euro DIN 41612 Connector, B Type

