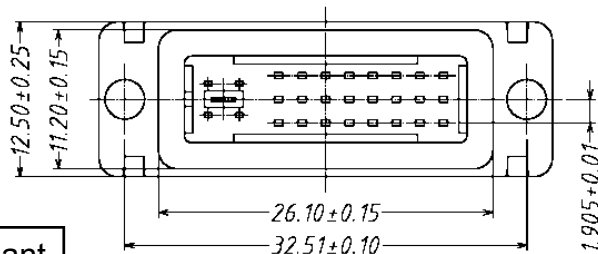
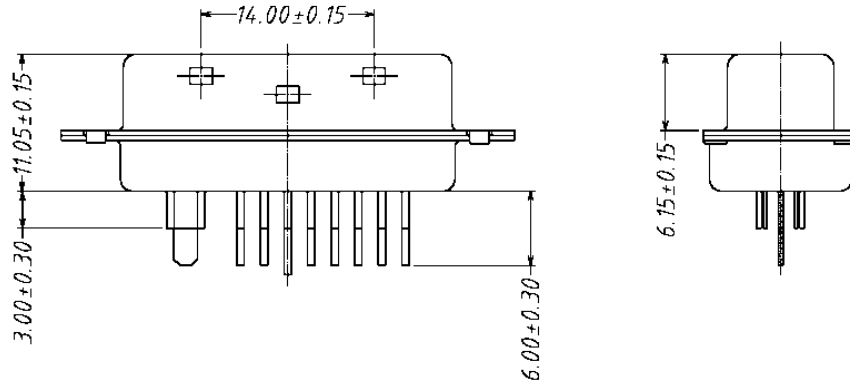


SPECIFICATIONS

- Current rating: 1.5 amps
- Voltage rating: 40VAC
- Contact material: Brass and steel
- Contact resistance: 20 milliohms max.
- Housing material: 30% glass filled, UL 94V-0
- Insulation resistance: 1000 megohms min.
- Withstanding: 500V
- Insertion force: 4.5kg max.
- Extraction force: 1kg min.; 4kg max.

NOTE: Pin 14 contact height is 4.70



RoHS compliant

Rev.	Description	Date	Approved	Drawing	Name	Date
				Approved	Howard	08/10/03
				Checked	Lizzy	08/10/03
				Drawn	Tina	08/10/03
				0.0 ± 0.35	0.00 ± 0.20	Angles ± 3'
				UNIT: mm		

Central Components Manufacturing
 440 Lincoln Blvd., Middlesex, New Jersey 08846
 Phone 732 469-5720 888 288-5152 Fax 732 469-1919

Part No.: **CDVI-24-5-ST-M**

Description: 24 + 5 DVI solder type male