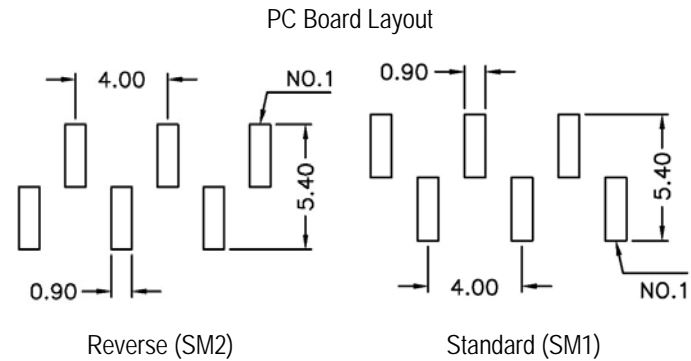
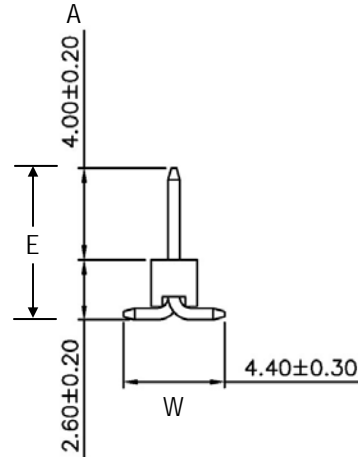
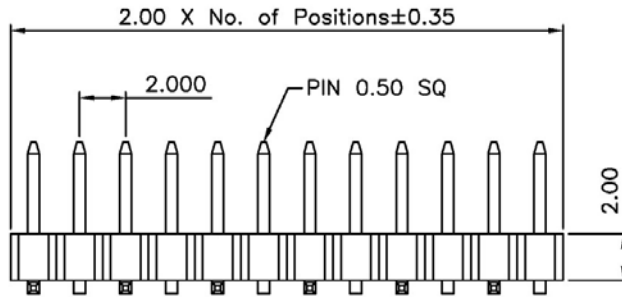


SPECIFICATIONS

Current rating: 2 amps
 Contact material: Copper Alloy
 Contact resistance: 20 milliohms max.
 Insulator material: Polyester, UL94V-0 Nylon 6T
 Insulator resistance: 1,000 megohms min.
 Withstanding: 500VAC for 1 min.
 Operating temp.: -40°C to 105°C



Series	Insulator	Rows	Type	Contacts	Contact Length	Plating
BPH	X	X	XX	XX	XX	XX
2mm unshrouded pin header	[blank]=2mm (.079"), (2.7mm profile) C=1.5 (.059"), (2.2mm profile)	1, 2	[blank]=Straight RA=Right Angle SMX=Surface Mount [if ordering single row & even number of pins, see diagram for X]	Single Row: 1-40 Double Row: 2-80	SD=Standard 4.0mm (.157") CSL(A/E/W) for custom length (unit=inches)	TN=Tin SGXX=Selective Gold GDXX=Gold XX=Flash if blank, 15,30,50u"

RoHS compliant

Rev.	Description	Date	Approved	Drawing	Name	Date
A	PNT, DIM	4/10/09	Greg	Approved	Howard	6/16/05
				Checked	Lizzy	6/16/05
				Drawn	Tina	6/16/05
				0.0 ± 0.35	0.00 ± 0.20	Angles ± 3'
				UNIT: mm		

Central Components Manufacturing
 440 Lincoln Blvd., Middlesex, New Jersey 08846
 Phone 732 469-5720 888 288-5152 Fax 732 469-1919

Part No.: **BPH-1-SM-XX-SD-XX**

Description: 2.00 Pin Header Single Row SMT Type Base 2.00H