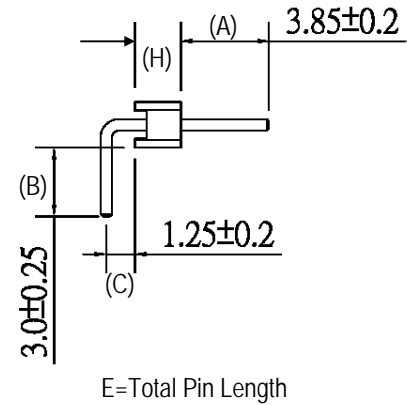
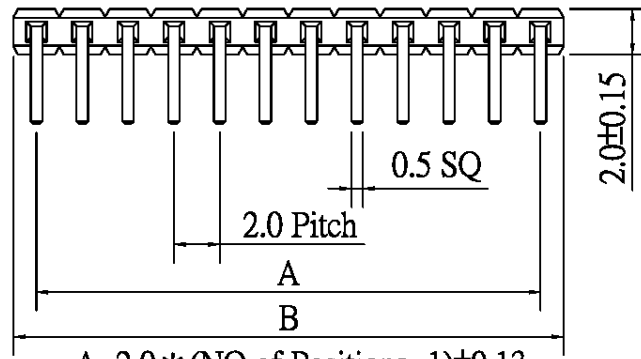
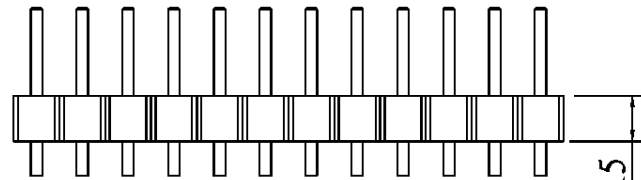
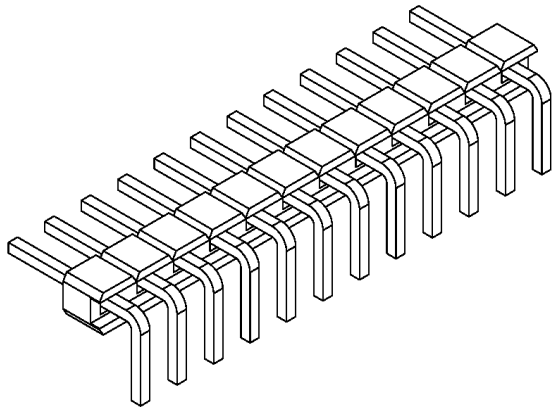
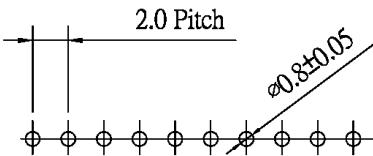


SPECIFICATIONS

Current rating: 3 amps
 Operating voltage: 250 VAC
 Contact material: Phosphor bronze
 Contact plating: Tin, gold or duplex
 Contact resistance: 10 milliohms max.
 Insulator material: PBT, glass reinforced, UL94V-0
 Insulator resistance: 1,000 megohms min.
 Withstanding: 1,000VAC for 1 min.
 Operating temp.: -55°C to 125°C



$A = 2.0 * (\text{NO of Positions} - 1) \pm 0.13$
 $B = A + 2.0 \pm 0.35$



PC Board Layout

Series	Insulator	Rows	Type	Contacts	Contact Length	Plating
BPH	X	X	XX	XX	XX	XX
2mm unshrouded pin headed	[blank]=2mm C=1.5mm D=1.0mm	1-2	[blank]=Straight RA=Right Angle SM=Surface Mount	Single Row=1-40 Double Row=2-80	SD=Standard CSL(A/C/E) for custom length	GDXX=Gold SGXX=Duplex TN=Tin XX=Flash if blank, 15,30, 50u"

RoHS compliant

Rev.	Description	Date	Approved	Drawing	Name	Date
				Approved	Howard	08/10/99
				Checked	Lizzy	08/10/99
				Drawn	Tina	08/10/99
				0.0 ± 0.35	0.00 ± 0.20	Angles ± 3'
					UNIT: mm	

Central Components Manufacturing
 440 Lincoln Blvd., Middlesex, New Jersey 08846
 Phone 732 469-5720 888 288-5152 Fax 732 469-1919

Part No.: **BPH-1-RA-XX-SD-XX**

Description: Pin header, 2.0mm pitch, single row, right angle