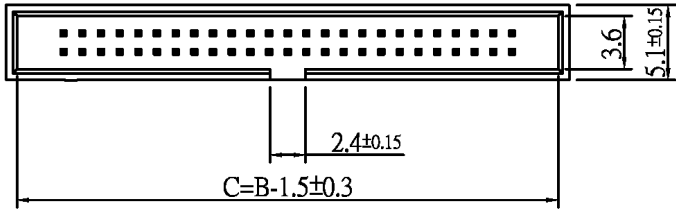
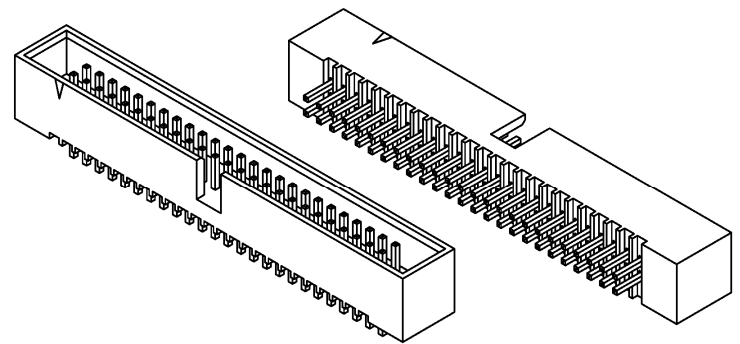


1 2 3 4 5 6 7 8 9

A

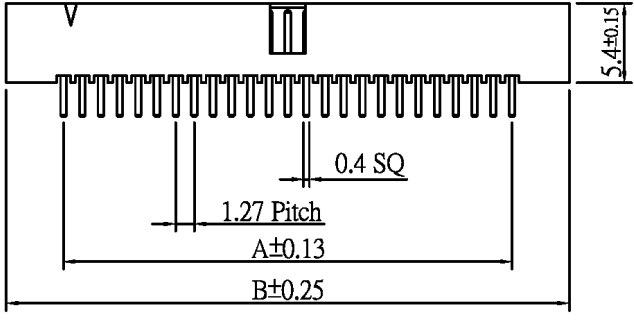


B



A

C

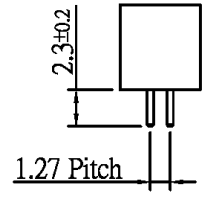


B

Pos.	Dimension	
	A	B
6	2.54	10.11
10	5.08	12.65
12	6.35	13.92
14	7.62	15.19
16	8.89	16.46
20	11.43	19.00
26	15.24	22.81
30	17.78	25.35
34	20.32	27.89
40	24.13	31.70
44	26.67	34.24
50	30.48	38.05
60	36.83	44.40
64	39.37	46.94
68	41.91	49.48
80	49.53	57.10
100	62.23	69.80

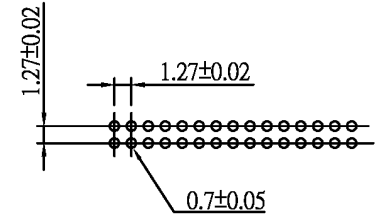
C

D



D

SPECIFICATIONS
 Current rating: 3 amps
 Contact material: Copper alloy
 Contact plating: Gold
 Insulation material: PBT, UL94V-0
 Insulation resistance: 5,000 megohms min.
 Withstanding: 1,000VAC for 1 min.
 Operating temperature: -40°C to +105°C
 Processing Temp: 260°C 5 to 10 Sec.



P.C. Board Layout

E

E

Series	Positions	Mounting	Plating
BHD-B	XX	ST	XX
Box header, 0.50" by 0.50"	See table	ST=Straight PCB mount RA=Right angle PCB mount	GDXX=Gold XX=Flash if blank; 15, 30µ" gold

RoHS compliant

Rev.	Description	Date	Approved	Drawing	Name	Date
A	DWG, PT, DT	04/11/08	Greg	Approved	Howard	08/10/99
B	Spec	7/20/09	Greg	Checked	Lizzy	08/10/99
				Drawn	Tina	08/10/99
				0.0 ± 0.35	0.00 ± 0.20	Angles ± 3'
				UNIT: mm		

Central Components Manufacturing
 440 Lincoln Blvd., Middlesex, New Jersey 08846
 Phone 732 469-5720 888 288-5152 Fax 732 469-1919

Part No.: **BHD-B-XX-ST-XX**

Description: Box header, 0.05" by 0.05", straight PCB mount

G

G

1 2 3 4 5 6 7 8 9