

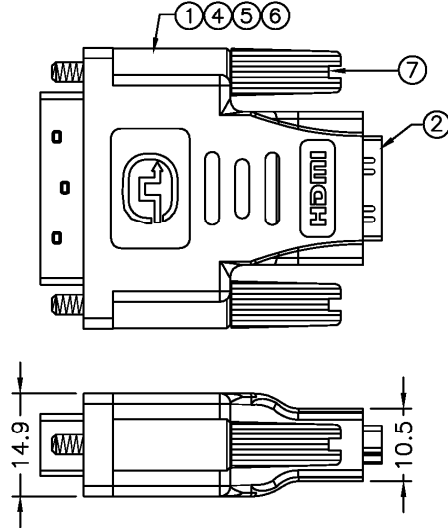
SPECIFICATIONS

Insulation Resistance: 20M Ohms (min)
 Conductive Resistance: 2 Ohms (Max)
 Withstanding: DC 300V 0.1 Sec.

100% Open & Short Testing

PIN ASSIGNMENT:

P1	P2
1	2
2	3
3	1
4	10
5	11
6	9
7	18
8	19
9	17
10	23
11	22
12	24
15	6
16	7
17	15
18	14
19	16
SHELL	SHELL



Item	Name	Description
1	Wire Cable	UL1007 28AWG(7/0.127TA) Black 32MM
2	HDMI Conn.	HDMI 19P/M
3	DVI Conn.	DVI (24+1)/M
4	Innermold	PE Low Density
5	Overmold	PCV 45Pa Black UL94V-0
6	Copper Foil	Solder Copper Foil around 360°
7	Screw	4-40# 2.8*36.0MM

RoHS compliant

Rev.	Description	Date	Approved	Drawing	Name	Date
A	PN	5-2-08	Greg	Approved	Howard	08/11/07
				Checked	Lizzy	08/11/07
				Drawn	Tina	08/11/07
				0.0 ± 0.35	0.00 ± 0.20	Angles ± 3'
				UNIT: mm		

Central Components Manufacturing
 440 Lincoln Blvd., Middlesex, New Jersey 08846
 Phone 732 469-5720 888 288-5152 Fax 732 469-1919

Part No.: **ADT-HDMI-FDVI-M-01-A**

Description: HDMI female to DVI male adaptor

